

SMBB -100 kg

Competitors

| # | Name | Club | 1 | 2 | 3 | 4 | Wins | Pts | Pos |
|---|----------------|---------------|----|----|----|----|------|-----|-----|
| 1 | VAN ERP Adrian | Victoria | XX | | | | 0 | 0 | 4 |
| 2 | FILTEAU Justin | Swift Current | 10 | XX | | | 1 | 10 | 3 |
| 3 | TREMBLAY Simon | Kodokwai | 10 | 10 | XX | | 2 | 20 | 2 |
| 4 | TENZERA Josp | Akademski | 10 | 10 | 10 | XX | 3 | 30 | 1 |

Matches

| Match | White | | | Blue | Result | Time | Code |
|-------|----------------|---|---|----------------|--------|------|------|
| A-80 | VAN ERP Adrian | 1 | 2 | FILTEAU Justin | 0 - 10 | 0:48 | IPO |
| A-81 | TREMBLAY Simon | 3 | 4 | TENZERA Josp | 0 - 10 | 0:21 | WIP |
| A-93 | VAN ERP Adrian | 1 | 3 | TREMBLAY Simon | 0 - 10 | 2:14 | WIP |
| A-94 | FILTEAU Justin | 2 | 4 | TENZERA Josp | 0 - 10 | 1:20 | WIP |
| A-105 | VAN ERP Adrian | 1 | 4 | TENZERA Josp | 0 - 10 | 0:23 | IPO |
| A-106 | FILTEAU Justin | 2 | 3 | TREMBLAY Simon | 0 - 10 | 5:09 | GSW |

Results

| Pos | Name |
|-----|-------------------------------|
| 1 | TENZERA Josp, Akademski |
| 2 | TREMBLAY Simon, Kodokwai |
| 3 | FILTEAU Justin, Swift Current |
| | |

SMBB -55 kg

Competitors A

| # | Name | Club | 1 | 2 | 3 | 4 | Wins | Pts | Pos |
|---|--------------------------|--------------|----|----|----|----|------|-----|-----|
| 1 | MCCRISTALL Daniel | Upper Canada | XX | 10 | 10 | 10 | 3 | 30 | 1 |
| 2 | TREMBLAY Justin | Judo QC | | XX | | 10 | 1 | 10 | 3 |
| 3 | NINALGA Vincent | Arashi | | 5 | XX | 10 | 2 | 15 | 2 |
| 4 | HANEARIN-BALCZER Jarrett | Hiro's | | | | XX | 0 | 0 | 4 |

Matches A

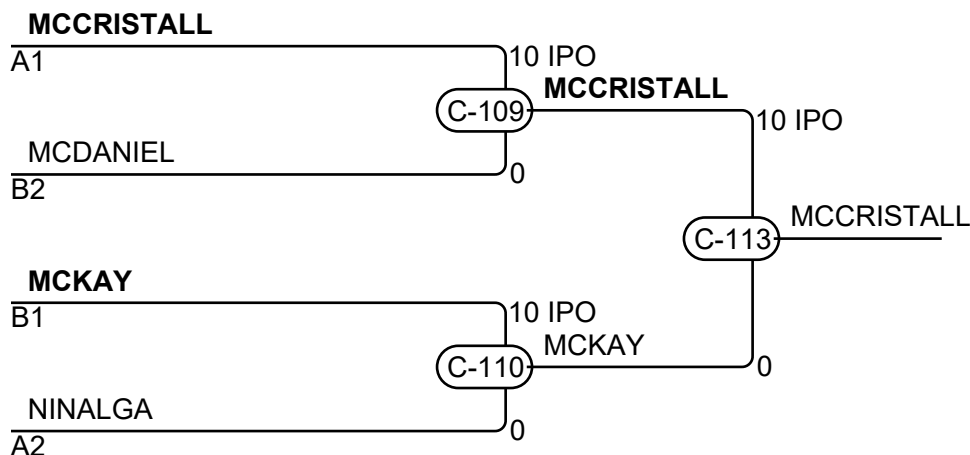
| Match | White | Blue | Result | Time | Code |
|-------|-------------------|--------------------------|--------|-------|------|
| C-79 | MCCRISTALL Daniel | TREMBLAY Justin | 10 - 0 | 2:50 | WIP |
| C-80 | NINALGA Vincent | HANEARIN-BALCZER Jarrett | 10 - 0 | 0:45 | IPO |
| C-91 | MCCRISTALL Daniel | NINALGA Vincent | 10 - 0 | 11:04 | GSI |
| C-92 | TREMBLAY Justin | HANEARIN-BALCZER Jarrett | 10 - 0 | 0:12 | IPO |
| C-101 | MCCRISTALL Daniel | HANEARIN-BALCZER Jarrett | 10 - 0 | 2:43 | IPO |
| C-102 | TREMBLAY Justin | NINALGA Vincent | 0 - 5 | 4:00 | WAZ |

Competitors B

| # | Name | Club | 5 | 6 | 7 | Wins | Pts | Pos |
|---|------------------|----------|----|----|----|------|-----|-----|
| 5 | MCDANIEL Spencer | Kodokwai | XX | 10 | | 1 | 10 | 2 |
| 6 | MCCABE Cane | Kelowna | | XX | | 0 | 0 | 3 |
| 7 | MCKAY Kyle | Pense | 10 | 10 | XX | 2 | 20 | 1 |

Matches B

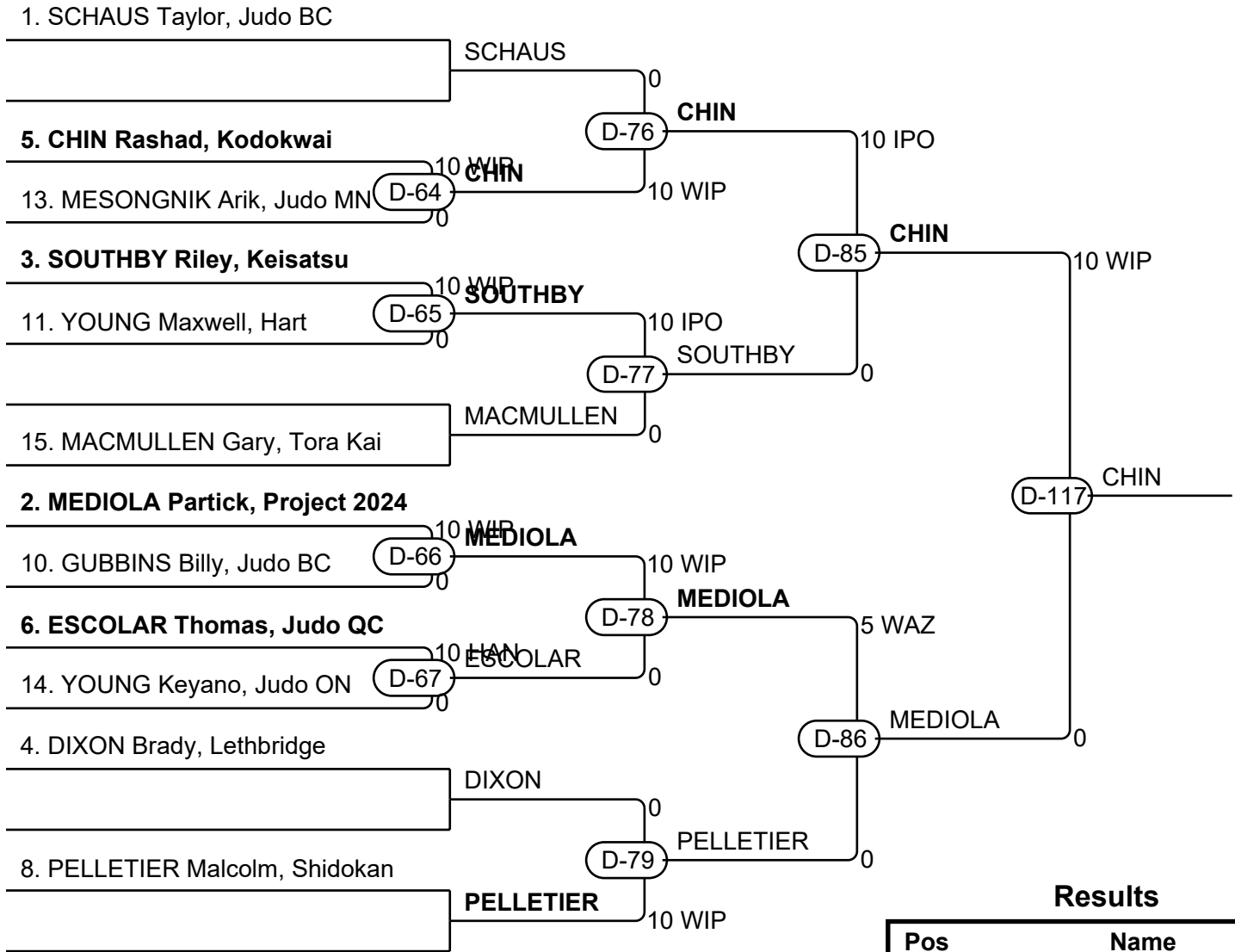
| Match | White | Blue | Result | Time | Code |
|-------|------------------|-------------|--------|------|------|
| C-81 | MCDANIEL Spencer | MCCABE Cane | 10 - 0 | 4:50 | GSI |
| C-93 | MCDANIEL Spencer | MCKAY Kyle | 0 - 10 | 2:36 | WIP |
| C-103 | MCCABE Cane | MCKAY Kyle | 0 - 10 | 0:00 | KIK |



Results

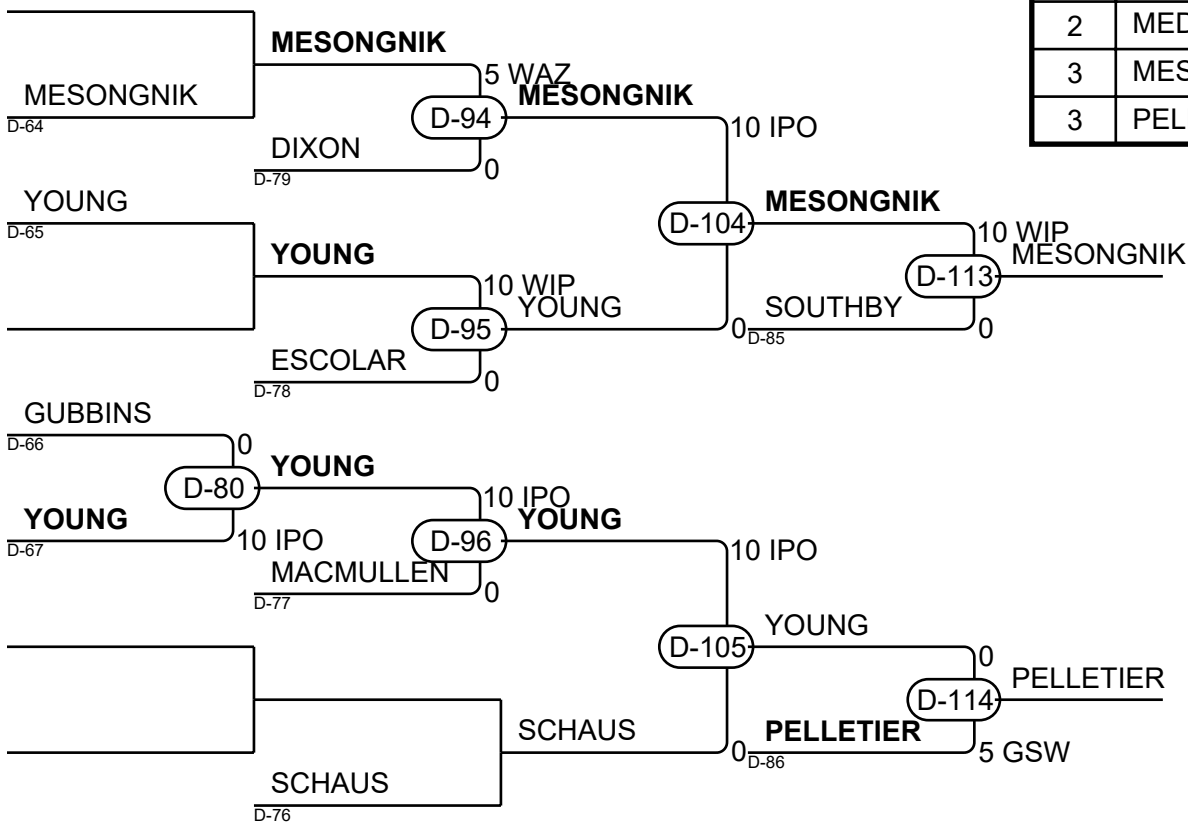
| Pos | Name |
|-----|---------------------------------|
| 1 | MCCRISTALL Daniel, Upper Canada |
| 2 | MCKAY Kyle, Pense |
| 3 | MCDANIEL Spencer, Kodokwai |
| 3 | NINALGA Vincent, Arashi |

SMBB -60 kg

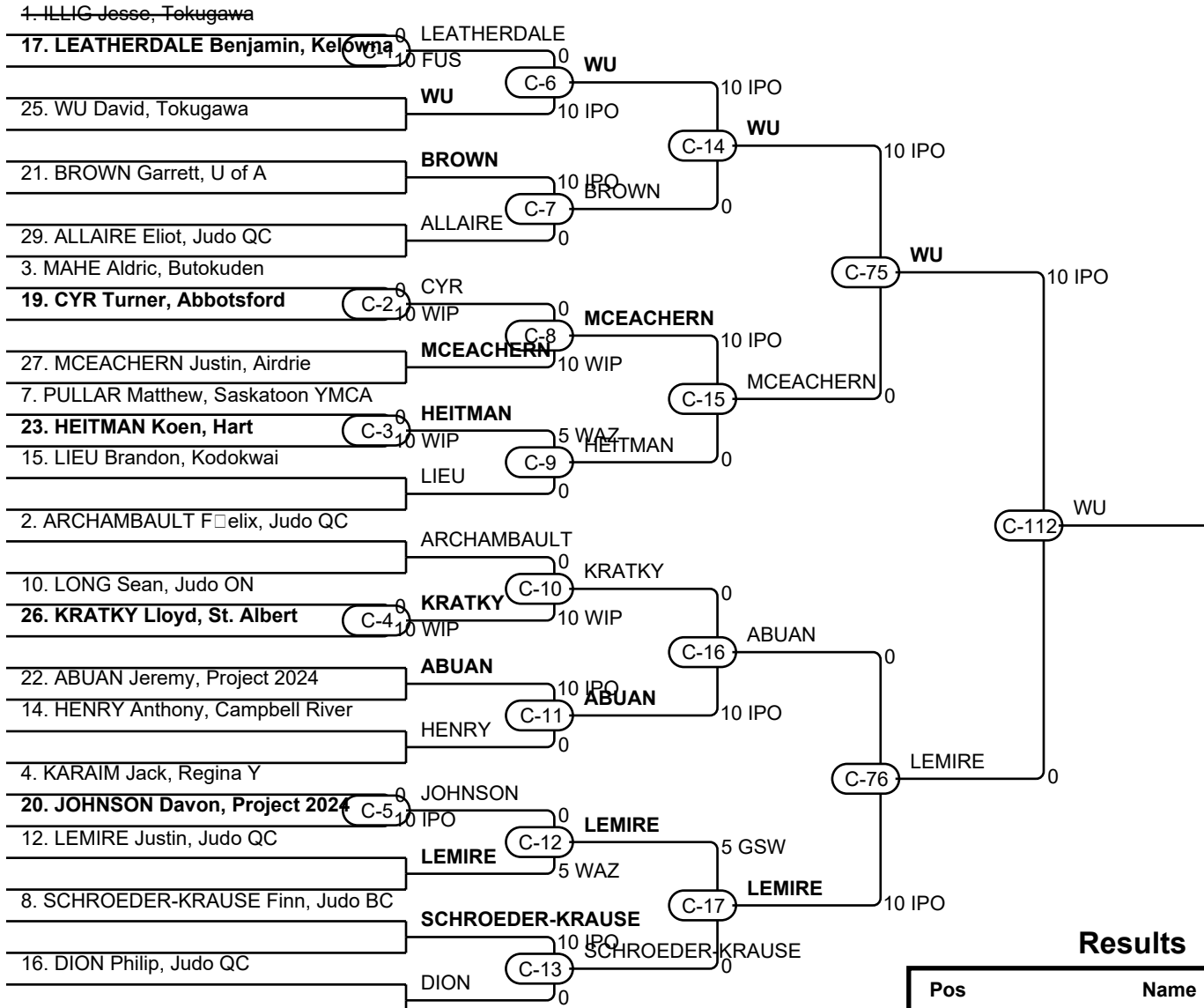


Results

| Pos | Name |
|-----|-------------------------------|
| 1 | CHIN Rashad, Kodokwai |
| 2 | MEDIOLA Partick, Project 2024 |
| 3 | MESONGNIK Arik, Judo MN |
| 3 | PELLETIER Malcolm, Shidokan |

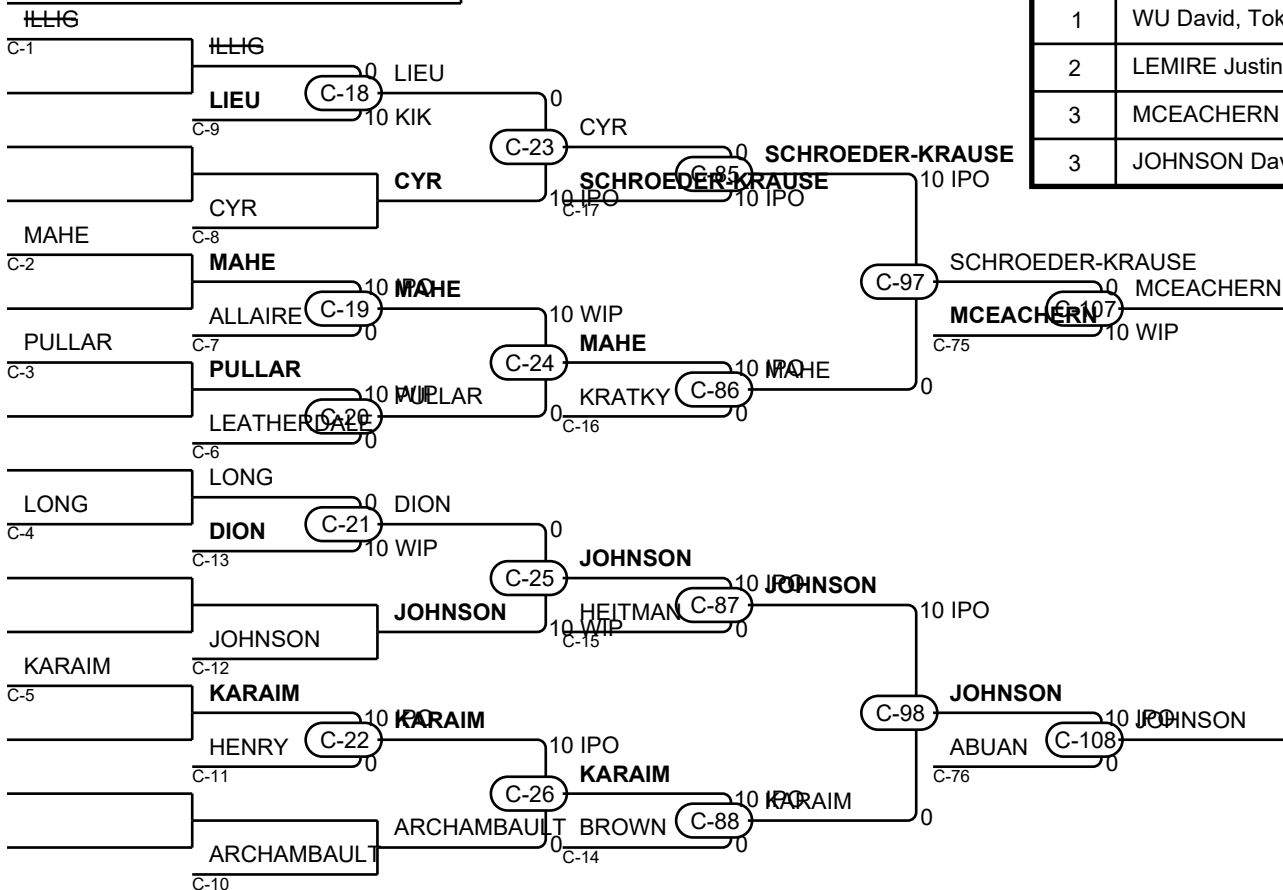


SMBB -66 kg



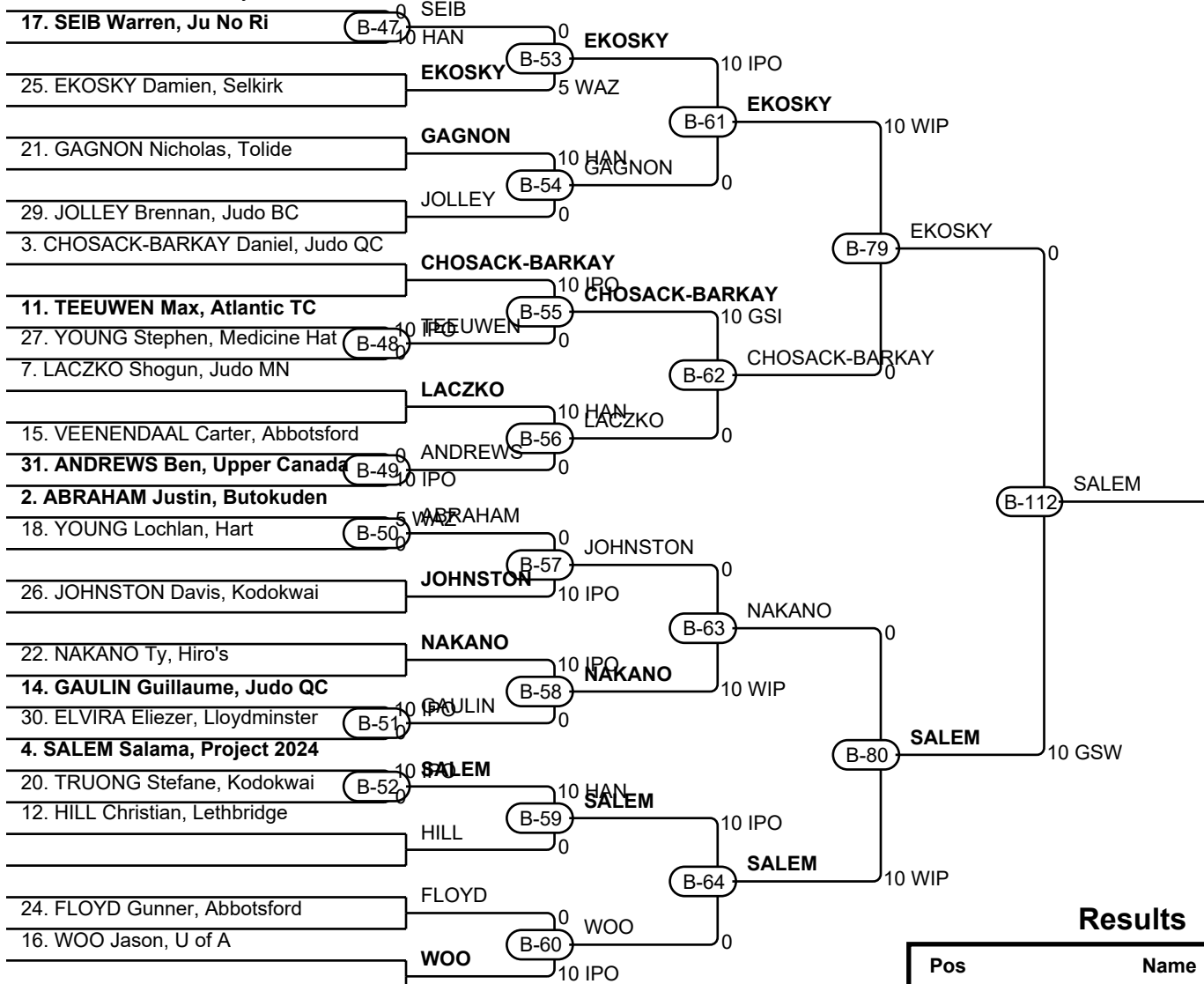
Results

| Pos | Name |
|-----|-----------------------------|
| 1 | WU David, Tokugawa |
| 2 | LEMIRE Justin, Judo QC |
| 3 | MCEACHERN Justin, Airdrie |
| 3 | JOHNSON Davon, Project 2024 |



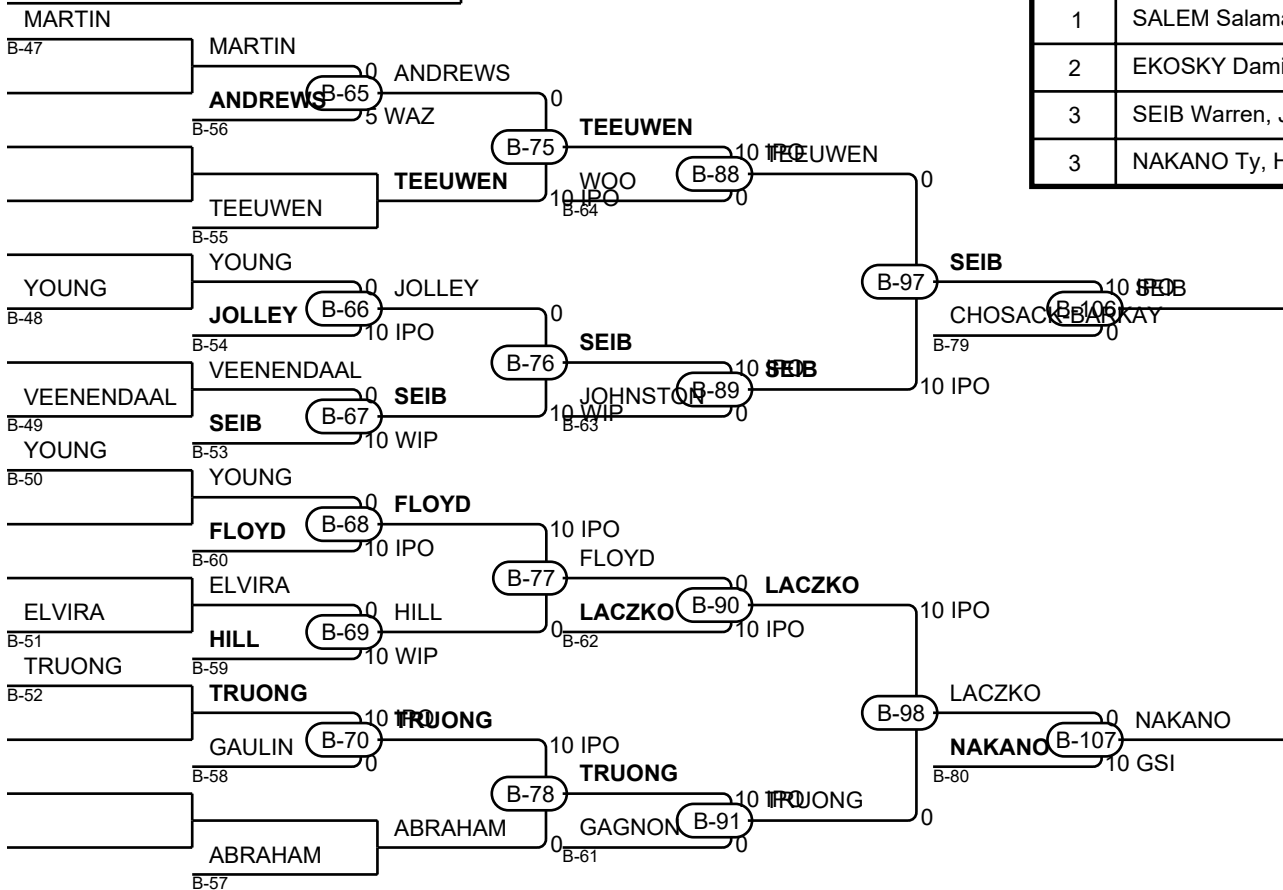
SMBB -73 kg

1. MARTIN Malcolm, Project 2024



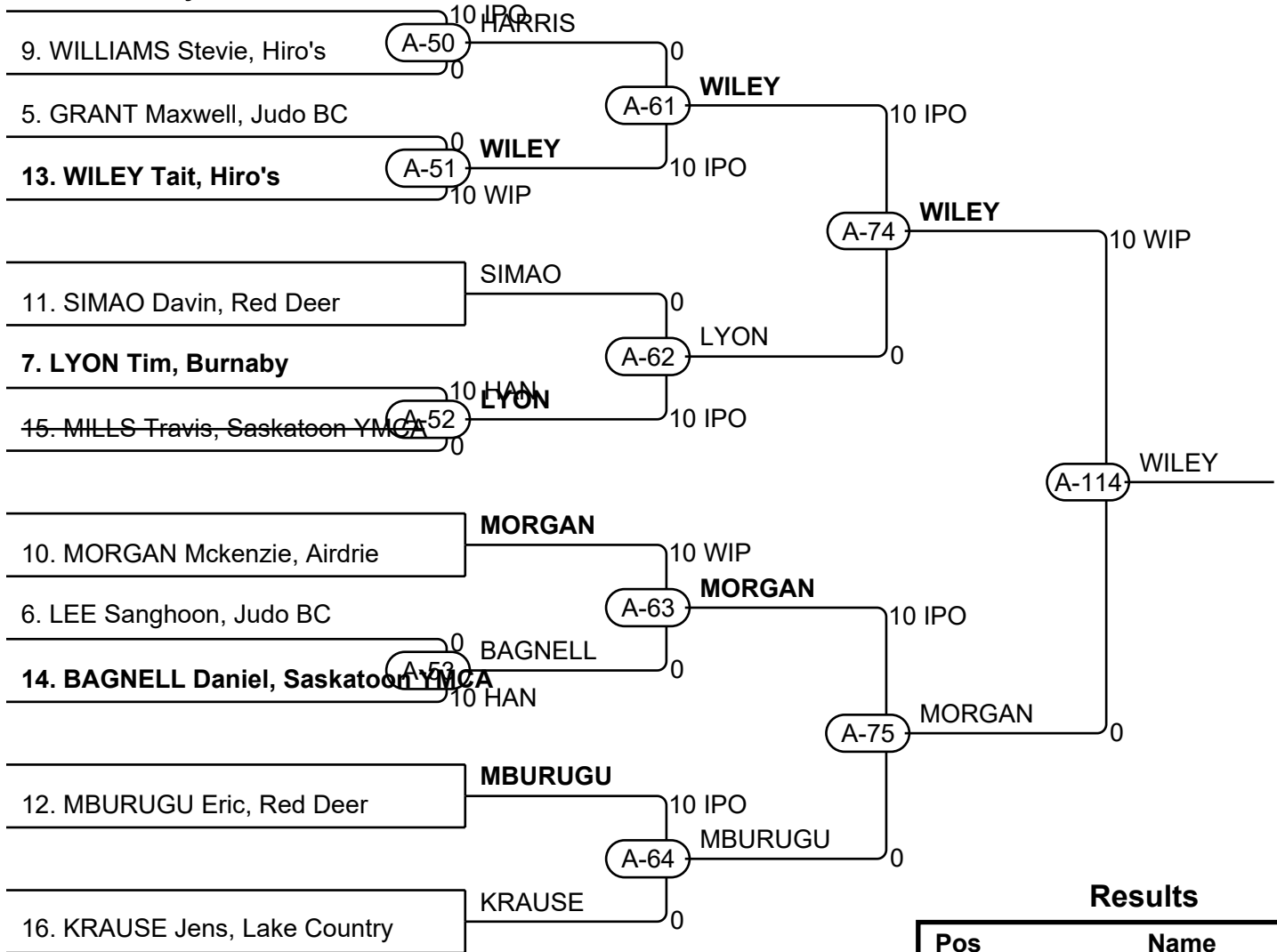
Results

| Pos | Name |
|-----|----------------------------|
| 1 | SALEM Salama, Project 2024 |
| 2 | EKOSKY Damien, Selkirk |
| 3 | SEIB Warren, Ju No Ri |
| 3 | NAKANO Ty, Hiro's |



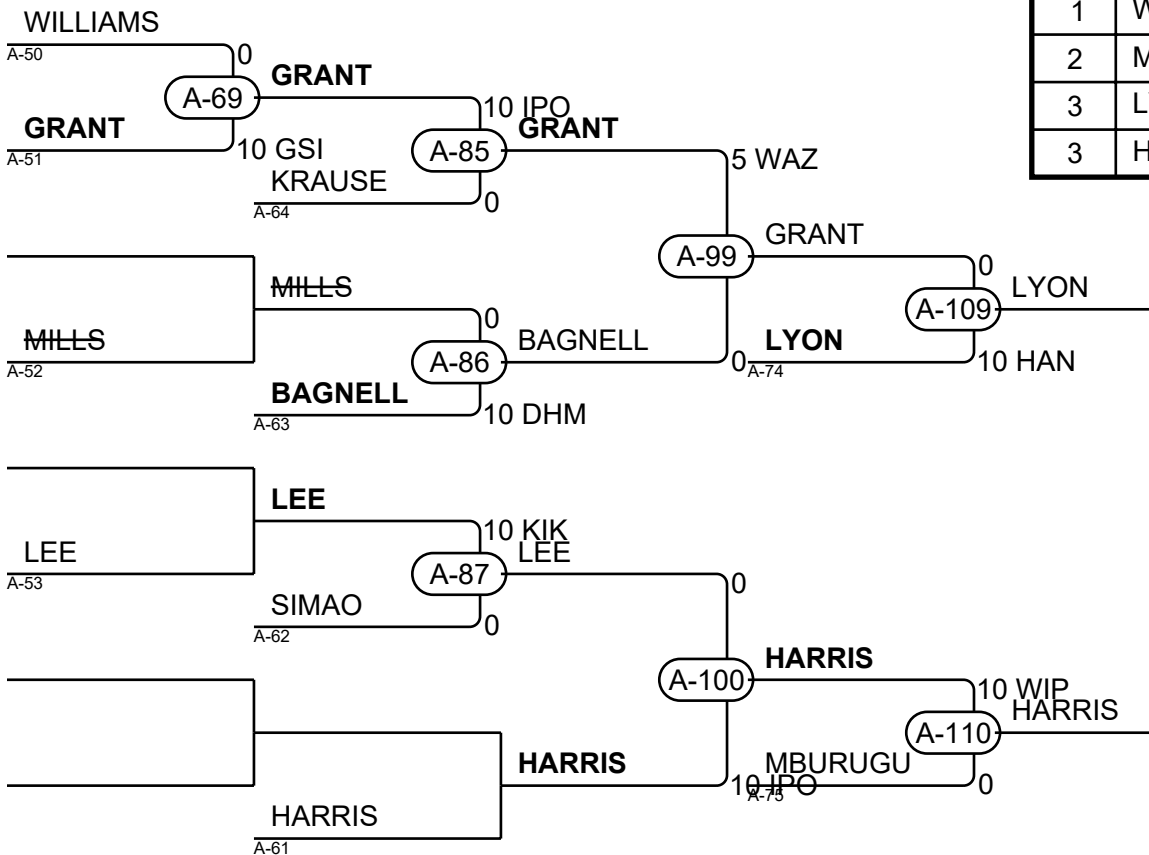
SMBB -81 kg

1. HARRIS Payton, Abbotsford



Results

| Pos | Name |
|-----|---------------------------|
| 1 | WILEY Tait, Hiro's |
| 2 | MORGAN Mckenzie, Airdrie |
| 3 | LYON Tim, Burnaby |
| 3 | HARRIS Payton, Abbotsford |



SMBB -90 kg

Competitors

| # | Name | Club | 1 | 2 | 3 | Wins | Pts | Pos |
|---|-------------------|--------------|----|----|----|------|-----|-----|
| 1 | RUSSO Rian | Project 2024 | XX | 10 | | 1 | 10 | 2 |
| 2 | VAN EATON Matthew | Project 2024 | | XX | | 0 | 0 | 3 |
| 3 | MINNICK Jackson | Judo BC | 10 | 10 | XX | 2 | 20 | 1 |

Matches

| Match | White | | | Blue | Result | Time | Code |
|-------|-------------------|---|---|------------------------|--------|------|------|
| D-87 | RUSSO Rian | 1 | 2 | VAN EATON Matthew | 10 - 0 | 1:25 | WIP |
| D-97 | RUSSO Rian | 1 | 3 | MINNICK Jackson | 0 - 10 | 3:54 | HAN |
| D-106 | VAN EATON Matthew | 2 | 3 | MINNICK Jackson | 0 - 10 | 3:28 | IPO |

Results

| Pos | Name |
|-----|--------------------------|
| 1 | MINNICK Jackson, Judo BC |
| 2 | RUSSO Rian, Project 2024 |
| | |

SMBB +100 kg

Competitors

| # | Name | Club | 1 | 2 | 3 | 4 | Wins | Pts | Pos |
|---|-------------------|-----------------|----|----|----|----|------|-----|-----|
| 1 | ALEXANDER Tristan | Judo BC | XX | 10 | 10 | | 2 | 20 | 2 |
| 2 | BLANEY Andrew | Fredericton | | XX | | | 0 | 0 | 4 |
| 3 | PIVOVAR Mark | Rodrigo Resende | | 10 | XX | | 1 | 10 | 3 |
| 4 | KUMRIC Marko | Akademski | 10 | 10 | 10 | XX | 3 | 30 | 1 |

Matches

| Match | White | | | Blue | Result | Time | Code |
|-------|--------------------------|---|---|---------------------|--------|------|------|
| A-70 | ALEXANDER Tristan | 1 | 2 | BLANEY Andrew | 10 - 0 | 0:30 | IPO |
| A-71 | PIVOVAR Mark | 3 | 4 | KUMRIC Marko | 0 - 10 | 1:56 | WIP |
| A-82 | ALEXANDER Tristan | 1 | 3 | PIVOVAR Mark | 10 - 0 | 1:18 | IPO |
| A-83 | BLANEY Andrew | 2 | 4 | KUMRIC Marko | 0 - 10 | 0:00 | KIK |
| A-95 | ALEXANDER Tristan | 1 | 4 | KUMRIC Marko | 0 - 10 | 0:12 | IPO |
| A-96 | BLANEY Andrew | 2 | 3 | PIVOVAR Mark | 0 - 10 | 0:00 | KIK |

Results

| Pos | Name |
|-----|-------------------------------|
| 1 | KUMRIC Marko, Akademski |
| 2 | ALEXANDER Tristan, Judo BC |
| 3 | PIVOVAR Mark, Rodrigo Resende |
| | |

SMYB -100 kg

Competitors

| # | Name | Club | 1 | 2 | 3 | 4 | Wins | Pts | Pos |
|---|----------------|-----------|----|----|----|----|------|-----|-----|
| 1 | MURPHY Michael | U of A | XX | 10 | | | 1 | 10 | 2 |
| 2 | TAYLOR Jason | Red Deer | | XX | 10 | | 1 | 10 | 3 |
| 3 | UNGER Aaron | Invermere | 10 | | XX | | 1 | 10 | 4 |
| 4 | MORRIS Myles | Mile Zero | 10 | 10 | 10 | XX | 3 | 30 | 1 |

Matches

| Match | White | | | Blue | Result | Time | Code |
|-------|-----------------------|---|---|---------------------|--------|------|------|
| D-88 | MURPHY Michael | 1 | 2 | TAYLOR Jason | 10 - 0 | 0:22 | IPO |
| D-89 | UNGER Aaron | 3 | 4 | MORRIS Myles | 0 - 10 | 0:58 | IPO |
| D-98 | MURPHY Michael | 1 | 3 | UNGER Aaron | 0 - 10 | 0:58 | IPO |
| D-99 | TAYLOR Jason | 2 | 4 | MORRIS Myles | 0 - 10 | 3:52 | IPO |
| D-107 | MURPHY Michael | 1 | 4 | MORRIS Myles | 0 - 10 | 0:36 | IPO |
| D-108 | TAYLOR Jason | 2 | 3 | UNGER Aaron | 10 - 0 | 0:28 | IPO |

Results

| Pos | Name |
|-----|-------------------------|
| 1 | MORRIS Myles, Mile Zero |
| 2 | MURPHY Michael, U of A |
| 3 | TAYLOR Jason, Red Deer |
| 4 | UNGER Aaron, Invermere |

SMYB -55 kg

Competitors

| # | Name | Club | 1 | 2 | 3 | 4 | Wins | Pts | Pos |
|---|---------------------|-----------|----|----|----|----|------|-----|-----|
| 1 | FRIZZELL Ioan | Hart | XX | 10 | | | 1 | 10 | 3 |
| 2 | MCDOUGALL Ethan | Kenshukan | | XX | | | 0 | 0 | 4 |
| 3 | CHRIST-BONNEL Kadin | Judo MN | 10 | 10 | XX | | 2 | 20 | 2 |
| 4 | NORQUAY Graham | Invermere | 10 | 10 | 10 | XX | 3 | 30 | 1 |

Matches

| Match | White | | | Blue | Result | Time | Code |
|-------|----------------------|---|---|----------------------------|--------|------|------|
| C-77 | FRIZZELL Ioan | 1 | 2 | MCDOUGALL Ethan | 10 - 0 | 0:27 | IPO |
| C-78 | CHRIST-BONNEL Kadin | 3 | 4 | NORQUAY Graham | 0 - 10 | 1:37 | WIP |
| C-89 | FRIZZELL Ioan | 1 | 3 | CHRIST-BONNEL Kadin | 0 - 10 | 3:49 | IPO |
| C-90 | MCDOUGALL Ethan | 2 | 4 | NORQUAY Graham | 0 - 10 | 0:12 | IPO |
| C-99 | FRIZZELL Ioan | 1 | 4 | NORQUAY Graham | 0 - 10 | 3:44 | WIP |
| C-100 | MCDOUGALL Ethan | 2 | 3 | CHRIST-BONNEL Kadin | 0 - 10 | 0:27 | IPO |

Results

| Pos | Name |
|-----|------------------------------|
| 1 | NORQUAY Graham, Invermere |
| 2 | CHRIST-BONNEL Kadin, Judo MN |
| 3 | FRIZZELL Ioan, Hart |
| | |

SMYB -66 kg

Competitors

| # | Name | Club | 1 | 2 | 3 | 4 | Wins | Pts | Pos |
|---|-----------------|-----------------|----|----|----|----|------|-----|-----|
| 1 | DOHERTY Jacob | Campbell River | XX | 10 | | | 1 | 10 | 3 |
| 2 | GOLE Jacob | Campbell River | | XX | | | 0 | 0 | 4 |
| 3 | MANZANO Vincent | Rodrigo Resende | 10 | 10 | XX | 5 | 3 | 25 | 1 |
| 4 | NOBERT Seth | Kodokwai | 10 | 10 | | XX | 2 | 20 | 2 |

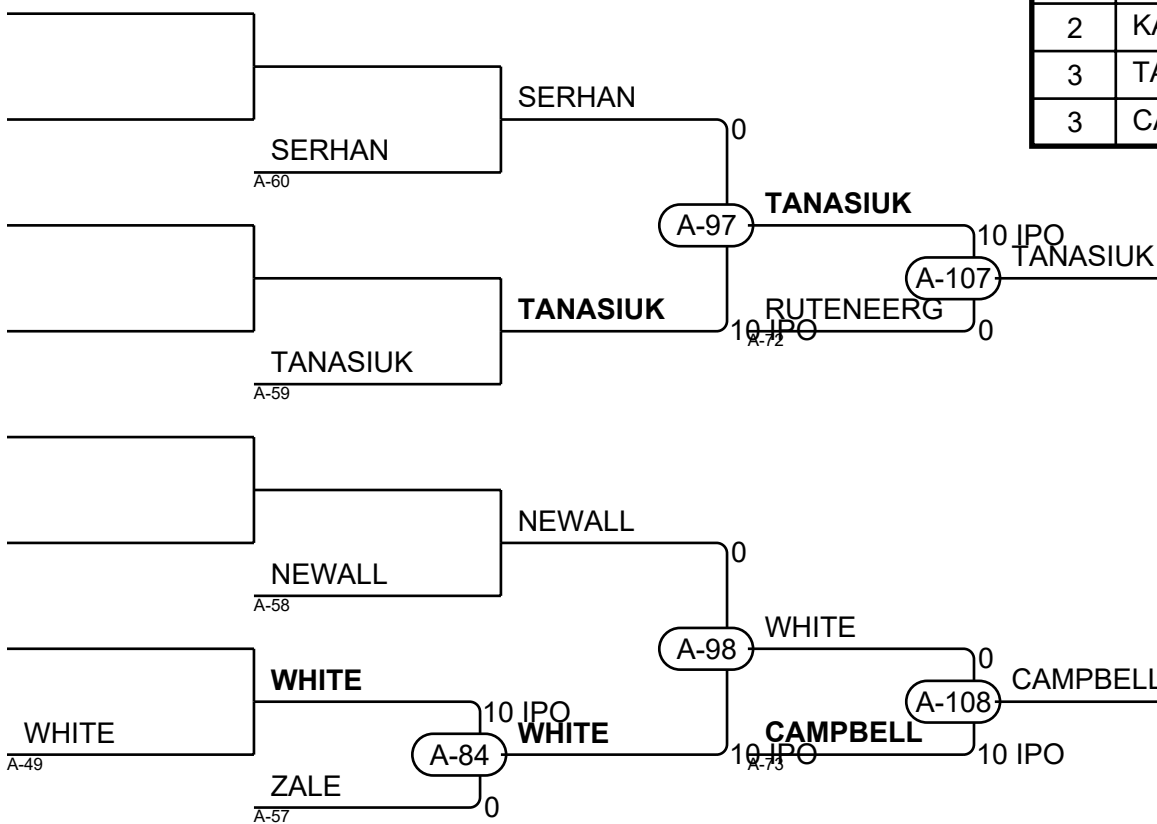
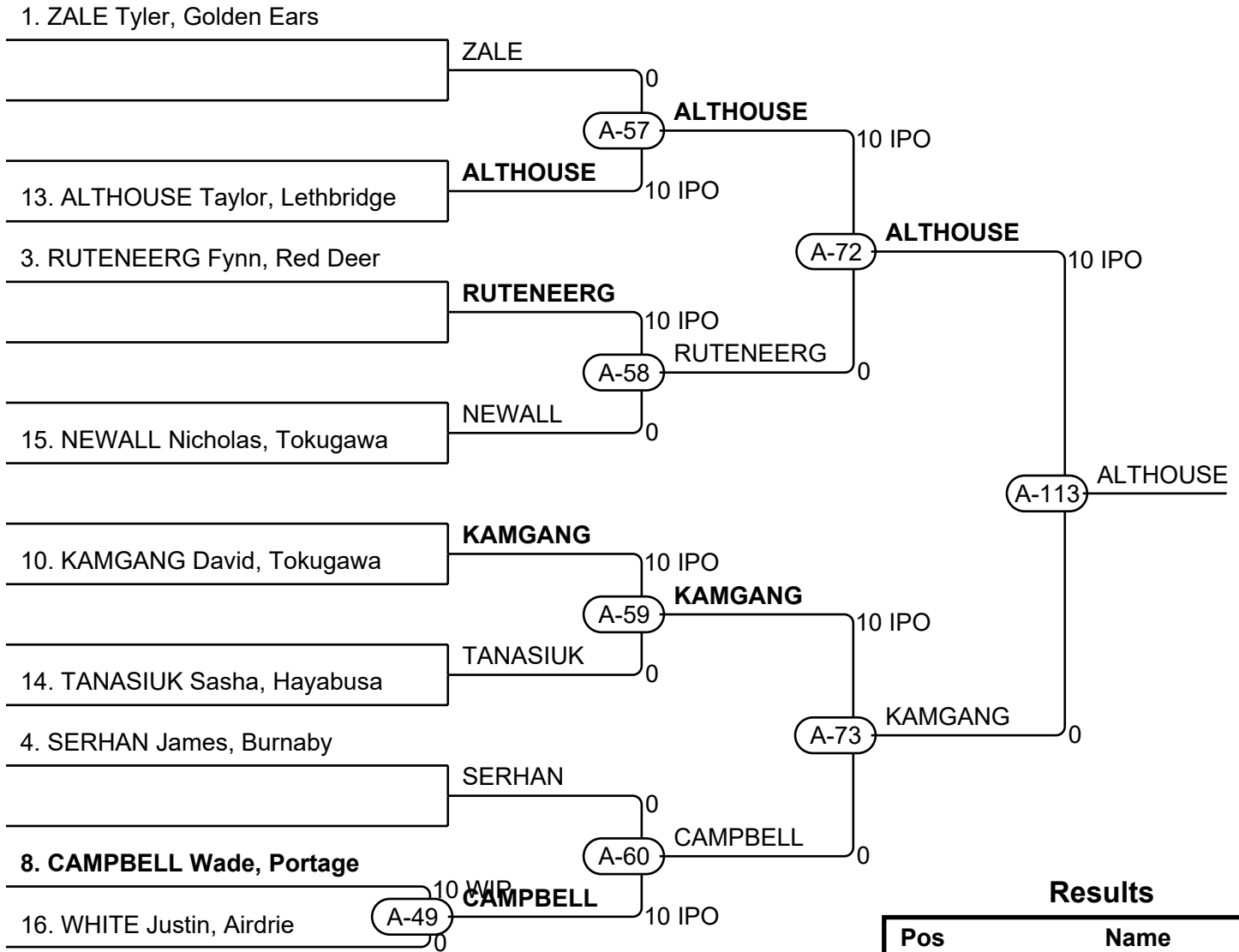
Matches

| Match | White | | Blue | | Result | Time | Code |
|-------|------------------------|---|------|------------------------|--------|------|------|
| A-78 | DOHERTY Jacob | 1 | 2 | GOLE Jacob | 10 - 0 | 0:10 | IPO |
| A-79 | MANZANO Vincent | 3 | 4 | NOBERT Seth | 5 - 0 | 5:01 | GSW |
| A-91 | DOHERTY Jacob | 1 | 3 | MANZANO Vincent | 0 - 10 | 2:05 | IPO |
| A-92 | GOLE Jacob | 2 | 4 | NOBERT Seth | 0 - 10 | 0:51 | IPO |
| A-103 | DOHERTY Jacob | 1 | 4 | NOBERT Seth | 0 - 10 | 0:42 | IPO |
| A-104 | GOLE Jacob | 2 | 3 | MANZANO Vincent | 0 - 10 | 2:15 | WIP |

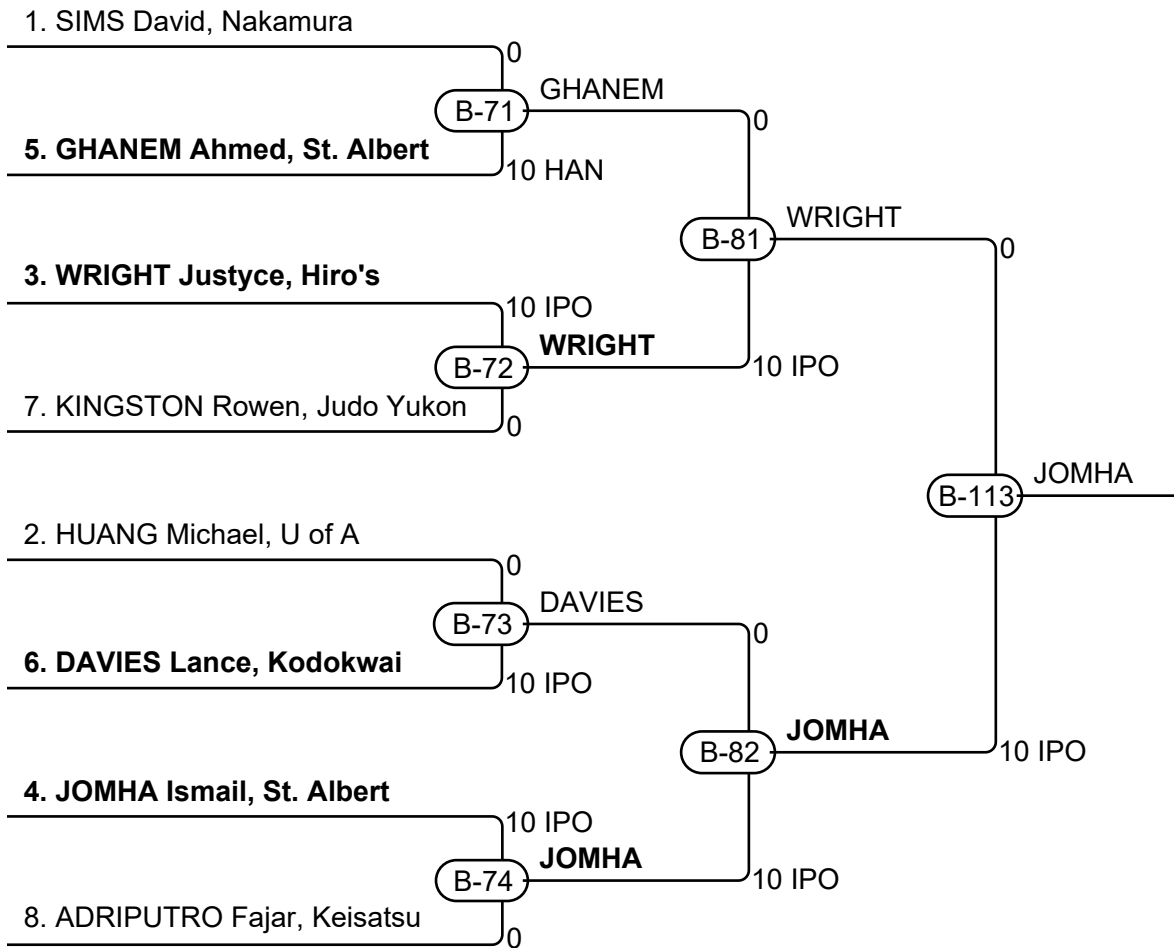
Results

| Pos | Name |
|-----|----------------------------------|
| 1 | MANZANO Vincent, Rodrigo Resende |
| 2 | NOBERT Seth, Kodokwai |
| 3 | DOHERTY Jacob, Campbell River |
| | |

SMYB -81 kg

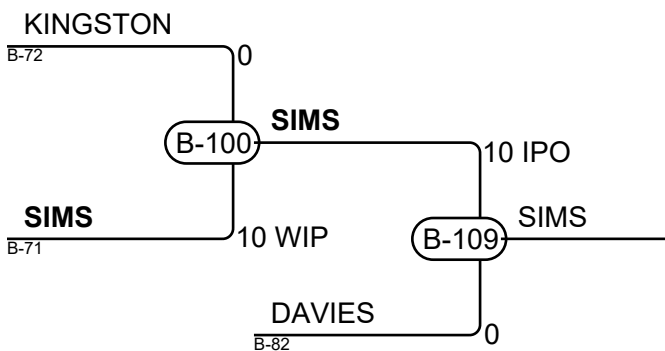
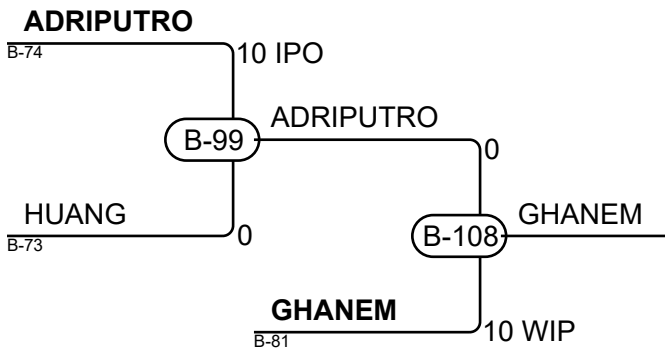


SMYB -90 kg



Results

| Pos | Name |
|-----|--------------------------|
| 1 | JOMHA Ismail, St. Albert |
| 2 | WRIGHT Justyce, Hiro's |
| 3 | GHANEM Ahmed, St. Albert |
| 3 | SIMS David, Nakamura |



SMYB +100 kg

Competitors

| # | Name | Club | 1 | Wins | Pts | Pos |
|---|----------------|--------|---|------|-----|-----|
| 1 | COUGHLAN Craig | Hiro's | X | 0 | 0 | 1 |

Matches

| Match | White | Blue | Result | Time | Code |
|-------|-------|------|--------|------|------|
|-------|-------|------|--------|------|------|

Results

| Pos | Name |
|-----|------|
| | |

SW -48 kg

Competitors A

| # | Name | Club | 1 | 2 | 3 | 4 | Wins | Pts | Pos |
|---|------------------|---------|----|----|----|----|------|-----|-----|
| 1 | CORBETTT Brooke | Hart | XX | | | | 0 | 0 | 4 |
| 2 | KAEGI Lorena | Judo MN | 10 | XX | 10 | 10 | 3 | 30 | 1 |
| 3 | DANILKOV Klavdia | Judo BC | 10 | | XX | | 1 | 10 | 3 |
| 4 | ROY Le□a | Judo QC | 10 | | 10 | XX | 2 | 20 | 2 |

Matches A

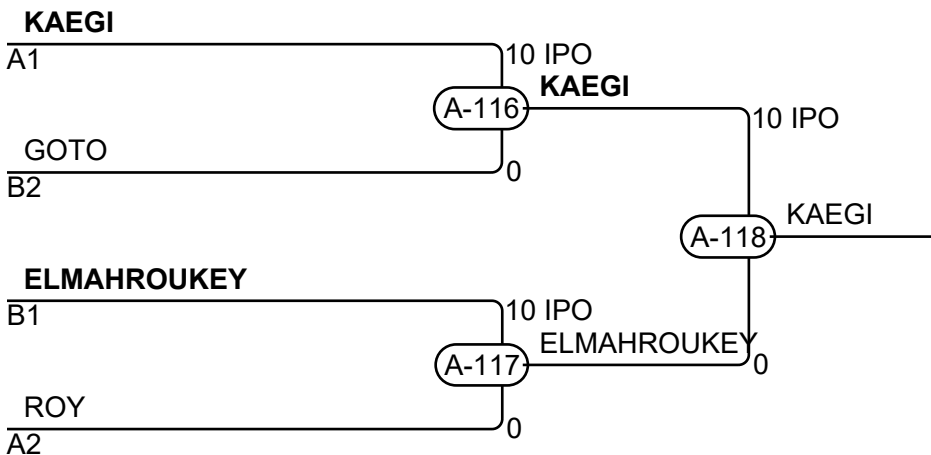
| Match | White | Blue | Result | Time | Code |
|--------|------------------|------------------|--------|------|------|
| A-108A | CORBETTT Brooke | KAEGI Lorena | 0 - 10 | 0:36 | WIP |
| A-108B | DANILKOV Klavdia | ROY Le□a | 0 - 10 | 0:55 | WIP |
| A-110B | CORBETTT Brooke | DANILKOV Klavdia | 0 - 10 | 0:39 | WIP |
| A-112A | KAEGI Lorena | ROY Le□a | 10 - 0 | 0:35 | WIP |
| A-114A | CORBETTT Brooke | ROY Le□a | 0 - 10 | 0:38 | WIP |
| A-114B | KAEGI Lorena | DANILKOV Klavdia | 10 - 0 | 0:09 | IPO |

Competitors B

| # | Name | Club | 5 | 6 | 7 | Wins | Pts | Pos |
|---|-------------------|--------------|----|----|----|------|-----|-----|
| 5 | ELMAHROUKEY Noran | Project 2024 | XX | 10 | 10 | 2 | 20 | 1 |
| 6 | KAMSTRA Kimiko | Hart | | XX | | 0 | 0 | 3 |
| 7 | GOTO Tami | Judo BC | | 10 | XX | 1 | 10 | 2 |

Matches B

| Match | White | Blue | Result | Time | Code |
|--------|-------------------|----------------|--------|------|------|
| A-110A | ELMAHROUKEY Noran | KAMSTRA Kimiko | 10 - 0 | 0:10 | IPO |
| A-112B | ELMAHROUKEY Noran | GOTO Tami | 10 - 0 | 3:12 | IPO |
| A-114C | KAMSTRA Kimiko | GOTO Tami | 0 - 10 | 1:04 | IPO |



Results

| Pos | Name |
|-----|---------------------------------|
| 1 | KAEGI Lorena, Judo MN |
| 2 | ELMAHROUKEY Noran, Project 2024 |
| 3 | GOTO Tami, Judo BC |
| 3 | ROY Le□a, Judo QC |

SW -52 kg

Competitors A

| # | Name | Club | 1 | 2 | 3 | Wins | Pts | Pos |
|---|----------------|--------------|----|----|----|------|-----|-----|
| 1 | ABUAN Alaine | Project 2024 | XX | 10 | 10 | 2 | 20 | 1 |
| 2 | BOUSBIAT Amira | Judo QC | | XX | | 0 | 0 | 3 |
| 3 | CALDWELL Emma | Lethbridge | | 5 | XX | 1 | 5 | 2 |

Matches A

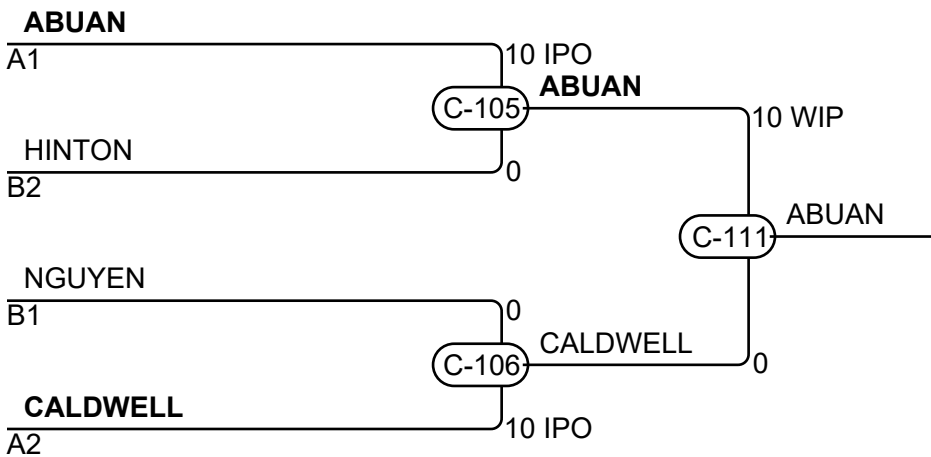
| Match | White | Blue | Result | Time | Code |
|-------|-----------------------|----------------|--------|------|------|
| C-73 | ABUAN Alaine 1 2 | BOUSBIAT Amira | 10 - 0 | 1:56 | WIP |
| C-83 | ABUAN Alaine 1 3 | CALDWELL Emma | 10 - 0 | 0:53 | IPO |
| C-95 | BOUSBIAT Amira 2 3 | CALDWELL Emma | 0 - 5 | 4:16 | GSW |

Competitors B

| # | Name | Club | 4 | 5 | 6 | Wins | Pts | Pos |
|---|------------------|------------|----|----|----|------|-----|-----|
| 4 | CHRISTOU Despina | Hiro's | XX | | | 0 | 0 | 3 |
| 5 | HINTON Launa | Abbotsford | 10 | XX | | 1 | 10 | 2 |
| 6 | NGUYEN Jennifer | Judo MN | 10 | 5 | XX | 2 | 15 | 1 |

Matches B

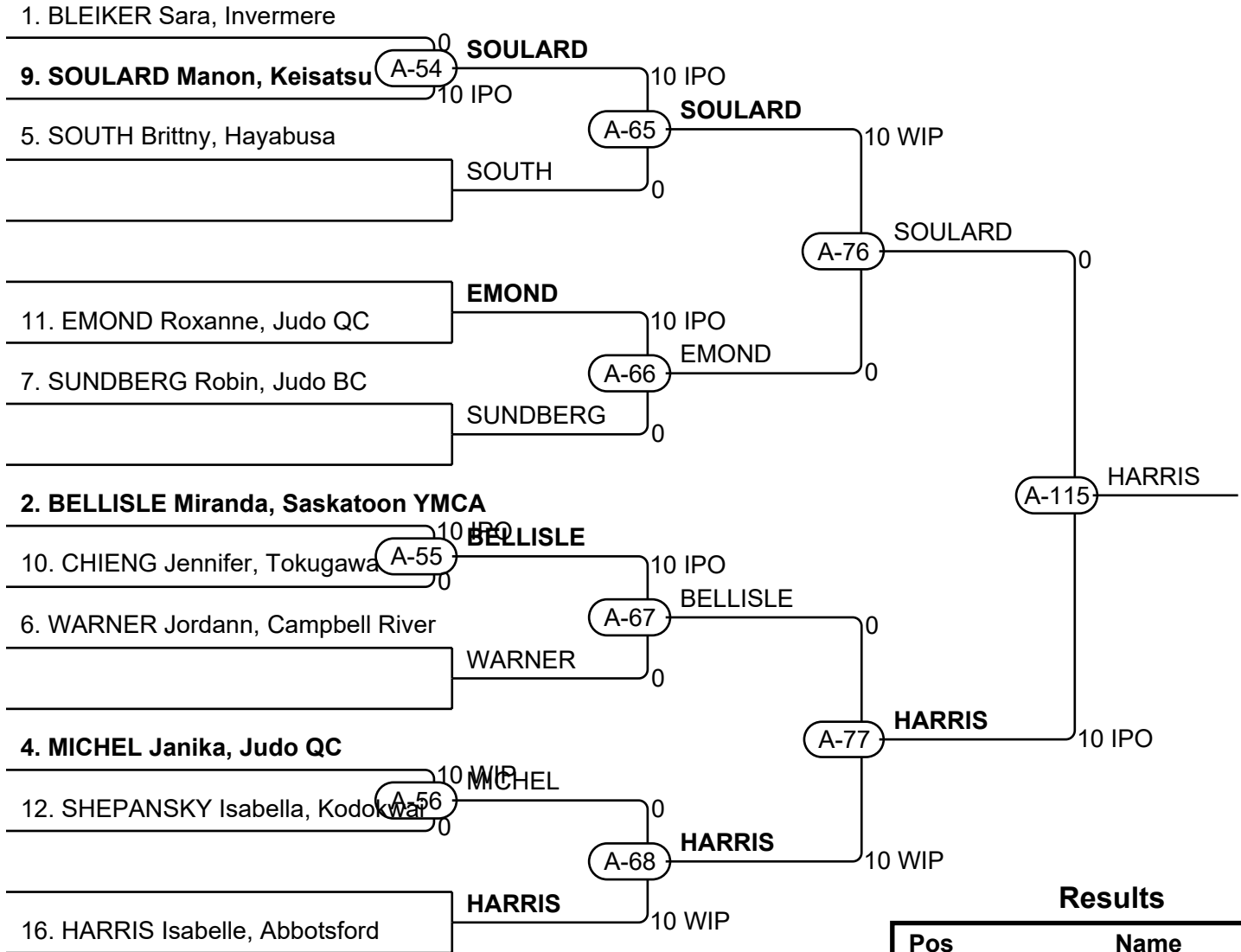
| Match | White | Blue | Result | Time | Code |
|-------|-------------------------|-----------------|--------|------|------|
| C-74 | CHRISTOU Despina 4 5 | HINTON Launa | 0 - 10 | 1:54 | WIP |
| C-84 | CHRISTOU Despina 4 6 | NGUYEN Jennifer | 0 - 10 | 0:40 | IPO |
| C-96 | HINTON Launa 5 6 | NGUYEN Jennifer | 0 - 5 | 4:16 | GSW |



Results

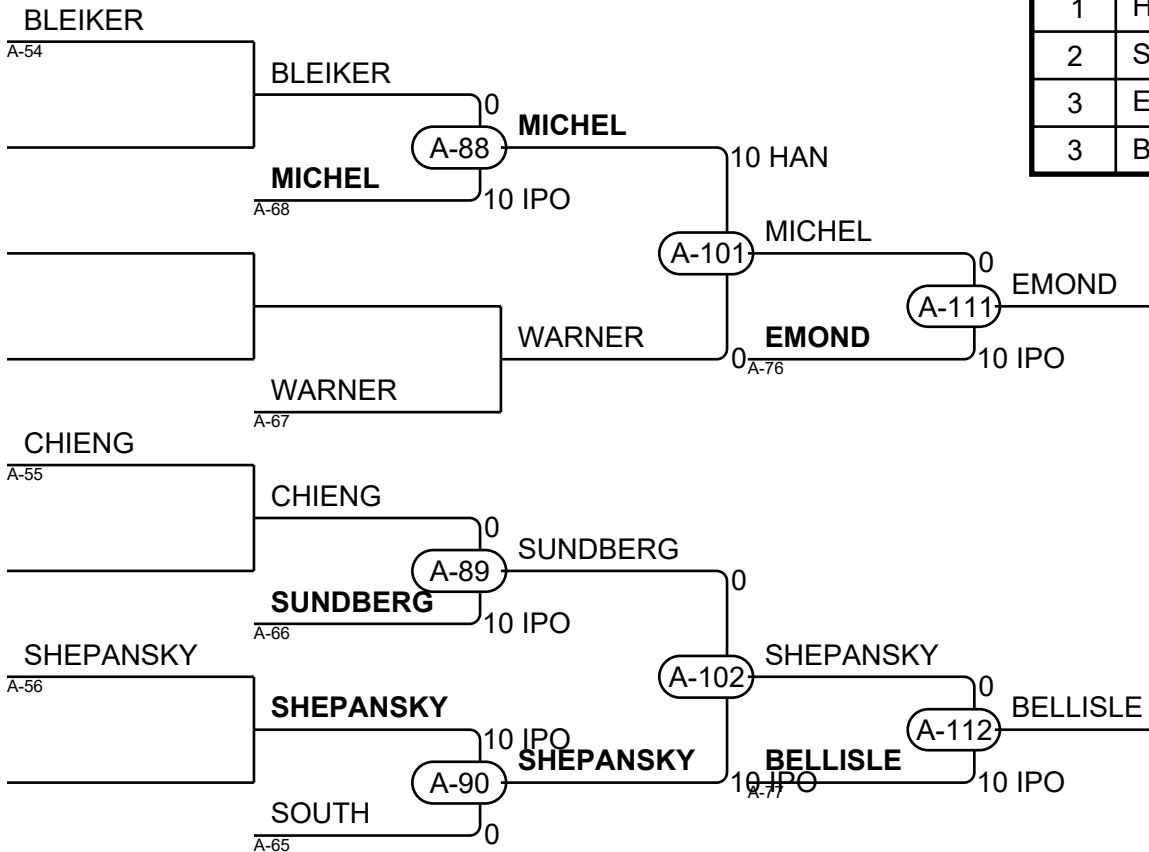
| Pos | Name |
|-----|----------------------------|
| 1 | ABUAN Alaine, Project 2024 |
| 2 | CALDWELL Emma, Lethbridge |
| 3 | HINTON Launa, Abbotsford |
| 3 | NGUYEN Jennifer, Judo MN |

SW -63 kg

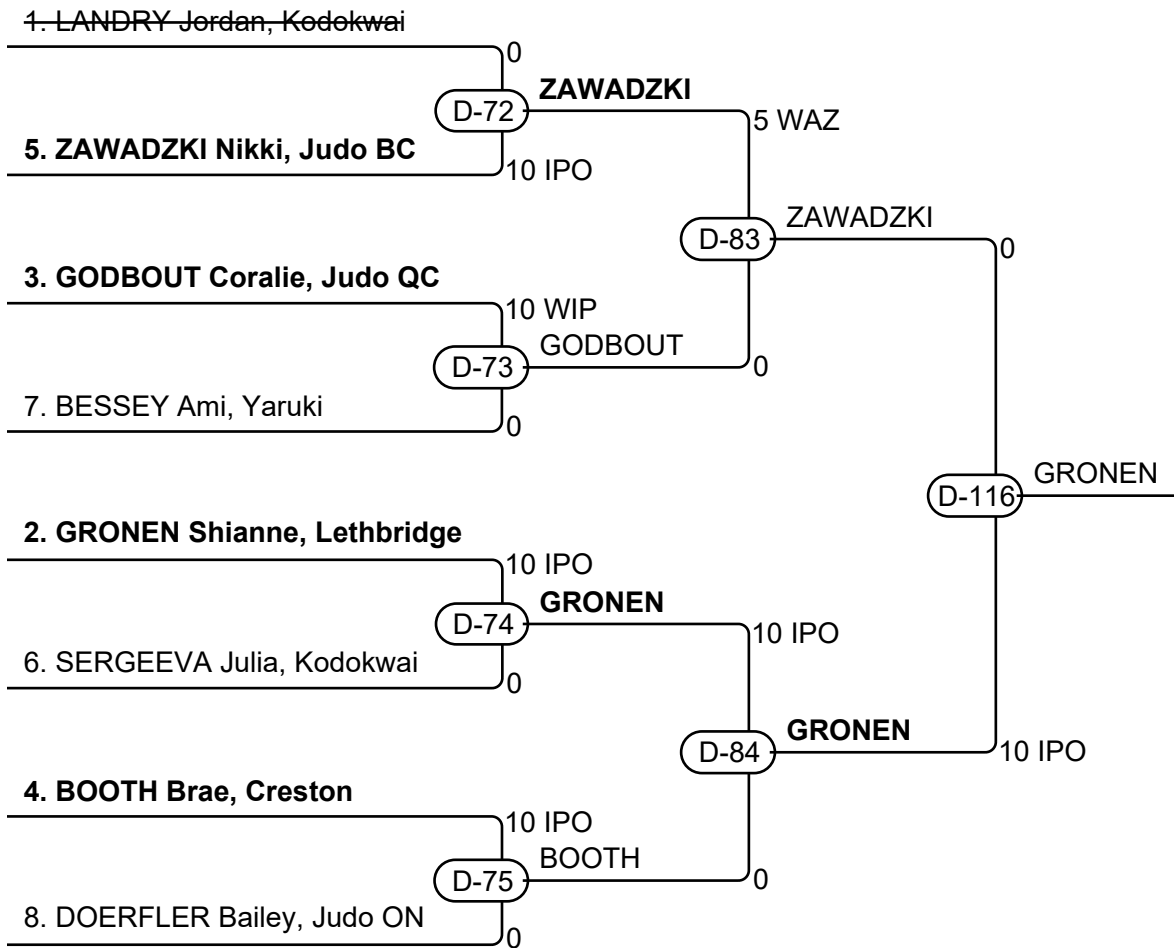


Results

| Pos | Name |
|-----|----------------------------------|
| 1 | HARRIS Isabelle, Abbotsford |
| 2 | SOULARD Manon, Keisatsu |
| 3 | EMOND Roxanne, Judo QC |
| 3 | BELLISLE Miranda, Saskatoon YMCA |

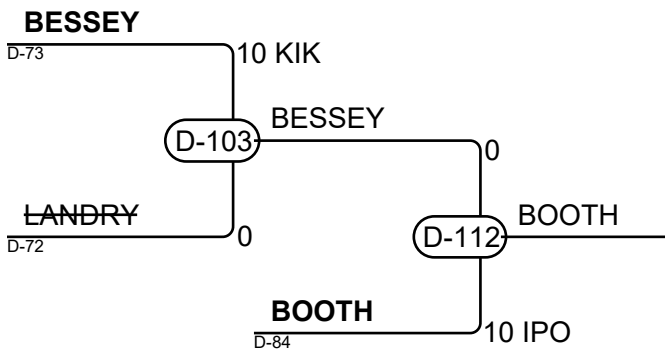
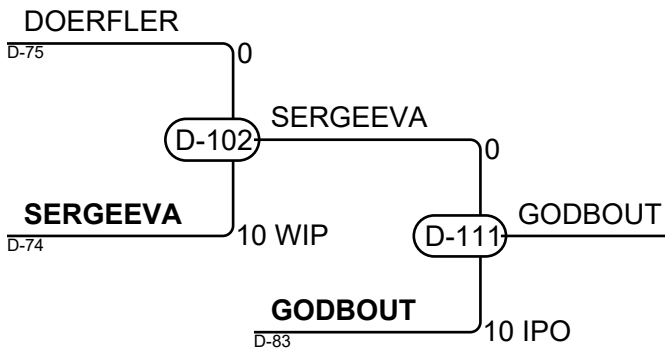


SW -70 kg



Results

| Pos | Name |
|-----|----------------------------|
| 1 | GRONEN Shianne, Lethbridge |
| 2 | ZAWADZKI Nikki, Judo BC |
| 3 | GODBOUT Coralie, Judo QC |
| 3 | BOOTH Brae, Creston |



SW -78 kg

Competitors

| # | Name | Club | 1 | 2 | 3 | 4 | Wins | Pts | Pos |
|---|--------------------|------------------|----|----|----|----|------|-----|-----|
| 1 | DARLOW Annabelle | Lethbridge | XX | 10 | 5 | 10 | 3 | 25 | 1 |
| 2 | BARNES Michelle | Northern Capital | | XX | | | 0 | 0 | 4 |
| 3 | NEUMAN Megan | Saskatoon YMCA | | 10 | XX | 10 | 2 | 20 | 2 |
| 4 | SYNNOTT Josie-Anne | Judo QC | | 10 | | XX | 1 | 10 | 3 |

Matches

| Match | White | | Blue | | Result | Time | Code |
|-------|-------------------------|---|------|---------------------------|--------|------|------|
| B-83 | DARLOW Annabelle | 1 | 2 | BARNES Michelle | 10 - 0 | 1:22 | WIP |
| B-84 | NEUMAN Megan | 3 | 4 | SYNNOTT Josie-Anne | 10 - 0 | 2:47 | WIP |
| B-92 | DARLOW Annabelle | 1 | 3 | NEUMAN Megan | 5 - 0 | 4:00 | WAZ |
| B-93 | BARNES Michelle | 2 | 4 | SYNNOTT Josie-Anne | 0 - 10 | 0:35 | WIP |
| B-101 | DARLOW Annabelle | 1 | 4 | SYNNOTT Josie-Anne | 10 - 0 | 1:05 | IPO |
| B-102 | BARNES Michelle | 2 | 3 | NEUMAN Megan | 0 - 10 | 0:35 | WIP |

Results

| Pos | Name |
|-----|------------------------------|
| 1 | DARLOW Annabelle, Lethbridge |
| 2 | NEUMAN Megan, Saskatoon YMCA |
| 3 | SYNNOTT Josie-Anne, Judo QC |
| | |

SW +78 kg

Competitors

| # | Name | Club | 1 | 2 | 1 | 2 | 1 | 2 | Wins | Pts | Pos |
|---|-------------|----------|----|----|----|----|----|----|------|-----|-----|
| 1 | HANKS Megan | Aberdeen | XX | 10 | XX | 10 | XX | | 2 | 20 | 1 |
| 2 | WHABA Maram | Judo QC | | XX | | XX | | XX | 0 | 0 | 2 |

Matches

| Match | White | | | Blue | Result | Time | Code |
|-------|--------------------|---|---|--------------------|--------|------|------|
| C-82 | HANKS Megan | 1 | 2 | WHABA Maram | 10 - 0 | 4:27 | HAN |
| C-94 | WHABA Maram | 2 | 1 | HANKS Megan | 0 - 10 | 0:12 | IPO |
| C-104 | HANKS Megan | 1 | 2 | WHABA Maram | | | |

Results

| Pos | Name |
|-----|-----------------------|
| 1 | HANKS Megan, Aberdeen |
| | |

U16F -36 kg

Competitors

| # | Name | Club | 1 | 2 | 3 | Wins | Pts | Pos |
|---|--------------------|------------|----|----|----|------|-----|-----|
| 1 | GOSSELIN Olivia | Kodokwai | XX | 10 | 10 | 2 | 20 | 1 |
| 2 | IWAASA Brynn | Lethbridge | | XX | 10 | 1 | 10 | 2 |
| 3 | DANILKOV Ekaterina | Judo BC | | | XX | 0 | 0 | 3 |

Matches

| Match | White | | | Blue | Result | Time | Code |
|-------|-----------------|---|---|--------------------|--------|------|------|
| D-23 | GOSSELIN Olivia | 1 | 2 | IWAASA Brynn | 10 - 0 | 4:09 | GSI |
| D-38 | GOSSELIN Olivia | 1 | 3 | DANILKOV Ekaterina | 10 - 0 | 2:42 | HAN |
| D-51 | IWAASA Brynn | 2 | 3 | DANILKOV Ekaterina | 10 - 0 | 1:11 | IPO |

Results

| Pos | Name |
|-----|---------------------------|
| 1 | GOSSELIN Olivia, Kodokwai |
| 2 | IWAASA Brynn, Lethbridge |
| | |

U16F -44 kg

Competitors A

| # | Name | Club | 1 | 2 | 3 | Wins | Pts | Pos |
|---|----------------|------------|----|----|----|------|-----|-----|
| 1 | GOSELIN Chiara | Kodokwai | XX | | | 0 | 0 | 3 |
| 2 | RAINBOW Marnie | Invermere | 10 | XX | | 1 | 10 | 2 |
| 3 | CALDWELL Rylie | Lethbridge | 10 | 10 | XX | 2 | 20 | 1 |

Matches A

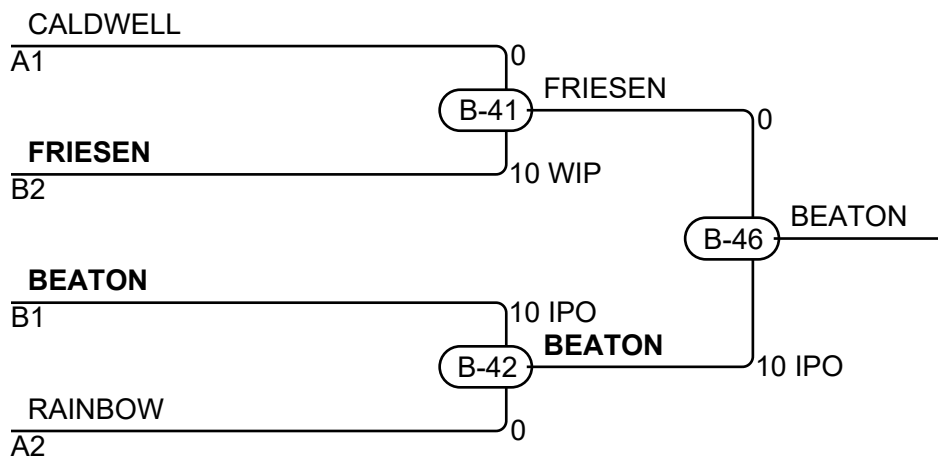
| Match | White | | Blue | Result | Time | Code |
|-------|----------------|-----|----------------|--------|------|------|
| B-14 | GOSELIN Chiara | 1 2 | RAINBOW Marnie | 0 - 10 | 2:04 | HAN |
| B-23 | GOSELIN Chiara | 1 3 | CALDWELL Rylie | 0 - 10 | 0:07 | IPO |
| B-33 | RAINBOW Marnie | 2 3 | CALDWELL Rylie | 0 - 10 | 0:30 | IPO |

Competitors B

| # | Name | Club | 4 | 5 | 6 | Wins | Pts | Pos |
|---|-----------------|------------|----|----|----|------|-----|-----|
| 4 | BEATON Evelyn | Lethbridge | XX | 10 | 10 | 2 | 20 | 1 |
| 5 | KOLIASKA Aliya | Lethbridge | | XX | | 0 | 0 | 3 |
| 6 | FRIESEN Natalie | Kodokwai | | 10 | XX | 1 | 10 | 2 |

Matches B

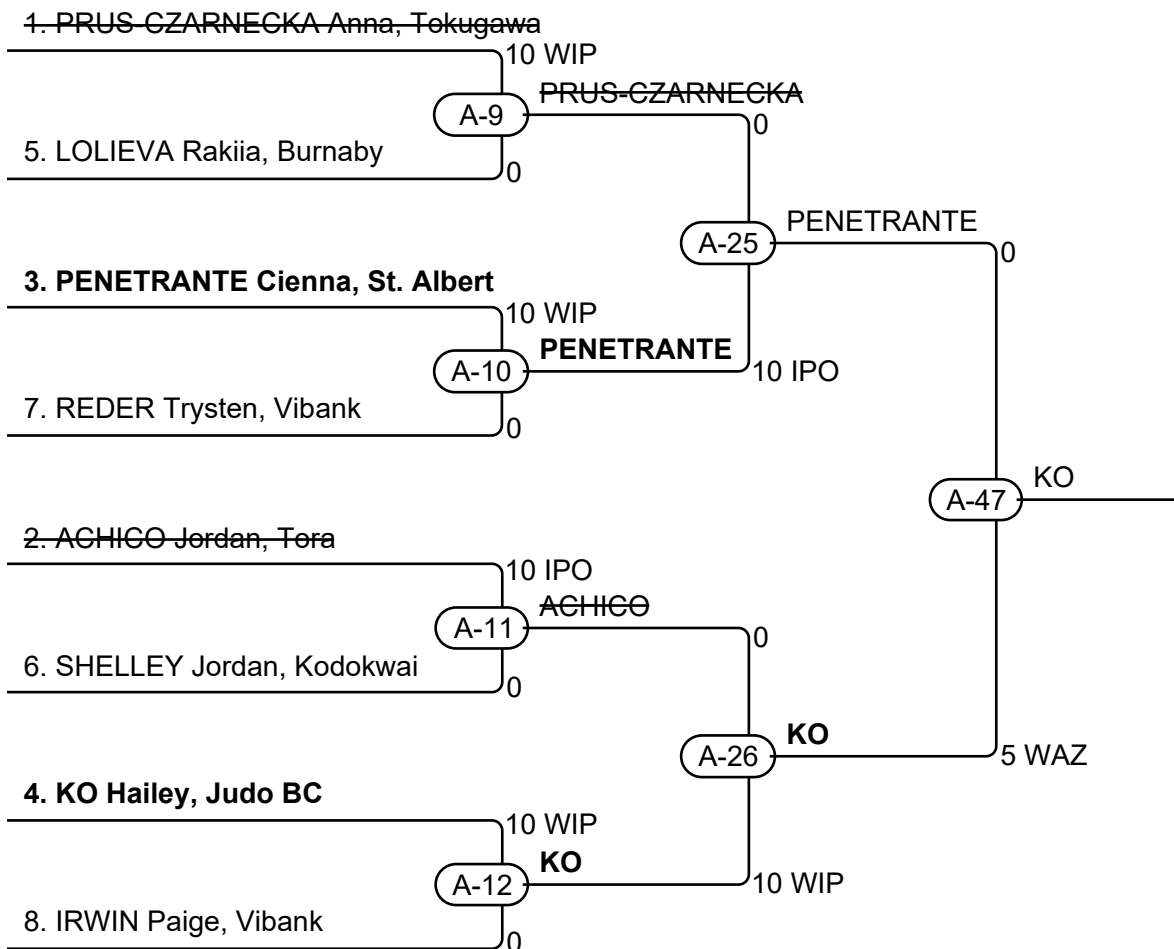
| Match | White | | Blue | Result | Time | Code |
|-------|----------------|-----|-----------------|--------|------|------|
| B-15 | BEATON Evelyn | 4 5 | KOLIASKA Aliya | 10 - 0 | 2:22 | WIP |
| B-24 | BEATON Evelyn | 4 6 | FRIESEN Natalie | 10 - 0 | 2:33 | IPO |
| B-34 | KOLIASKA Aliya | 5 6 | FRIESEN Natalie | 0 - 10 | 2:55 | IPO |



Results

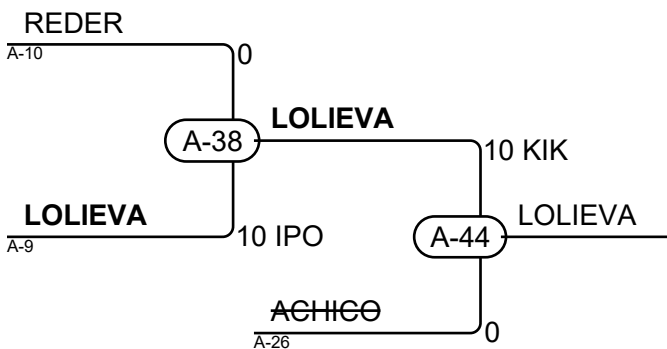
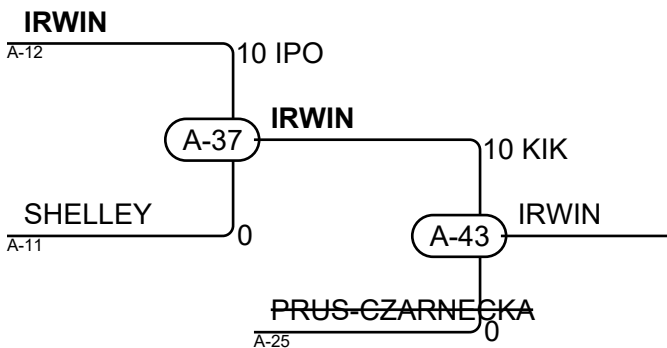
| Pos | Name |
|-----|----------------------------|
| 1 | BEATON Evelyn, Lethbridge |
| 2 | FRIESEN Natalie, Kodokwai |
| 3 | CALDWELL Rylie, Lethbridge |
| 3 | RAINBOW Marnie, Invermere |

U16F -48 kg



Results

| Pos | Name |
|-----|-------------------------------|
| 1 | KO Hailey, Judo BC |
| 2 | PENETRANTE Cienna, St. Albert |
| 3 | IRWIN Paige, Vibank |
| 3 | LOLIEVA Rakiia, Burnaby |



U16F -52 kg

Competitors A

| # | Name | Club | 1 | 2 | 3 | 4 | Wins | Pts | Pos |
|---|-----------------------|--------------|----|----|----|----|------|-----|-----|
| 1 | GREENE Isabella | Nanaimo | XX | | | | 0 | 0 | 4 |
| 2 | KARAS Kondelia | Kodokwai | 10 | XX | | 10 | 2 | 20 | 2 |
| 3 | GRISALES Angie | Hoku Sei Kan | 10 | 10 | XX | 10 | 3 | 30 | 1 |
| 4 | BLOCH-HANSEN Brooklyn | Lloydminster | 10 | | | XX | 1 | 10 | 3 |

Matches A

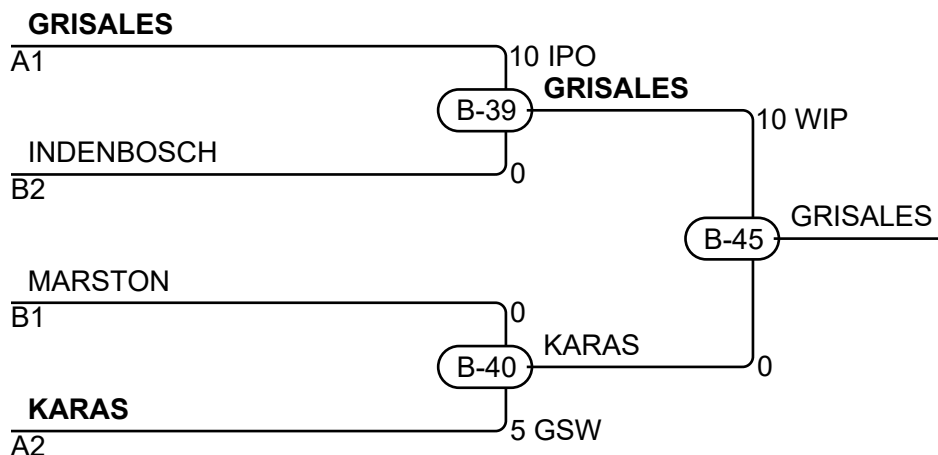
| Match | White | Blue | Result | Time | Code |
|-------|---------------------|-----------------------|--------|------|------|
| B-11 | GREENE Isabella 1 2 | KARAS Kondelia | 0 - 10 | 0:16 | IPO |
| B-12 | GRISALES Angie 3 4 | BLOCH-HANSEN Brooklyn | 10 - 0 | 0:12 | IPO |
| B-20 | GREENE Isabella 1 3 | GRISALES Angie | 0 - 10 | 0:13 | IPO |
| B-21 | KARAS Kondelia 2 4 | BLOCH-HANSEN Brooklyn | 10 - 0 | 0:38 | WIP |
| B-30 | GREENE Isabella 1 4 | BLOCH-HANSEN Brooklyn | 0 - 10 | 0:35 | IPO |
| B-31 | KARAS Kondelia 2 3 | GRISALES Angie | 0 - 10 | 1:19 | IPO |

Competitors B

| # | Name | Club | 5 | 6 | 7 | Wins | Pts | Pos |
|---|------------------|------------|----|----|----|------|-----|-----|
| 5 | INDENBOSCH Kayla | Lethbridge | XX | 10 | | 1 | 10 | 2 |
| 6 | PARISIS Laura | Barracuda | | XX | | 0 | 0 | 3 |
| 7 | MARSTON Marlin | Nanaimo | 10 | 10 | XX | 2 | 20 | 1 |

Matches B

| Match | White | Blue | Result | Time | Code |
|-------|----------------------|----------------|--------|------|------|
| B-13 | INDENBOSCH Kayla 5 6 | PARISIS Laura | 10 - 0 | 0:18 | WIP |
| B-22 | INDENBOSCH Kayla 5 7 | MARSTON Marlin | 0 - 10 | 0:07 | IPO |
| B-32 | PARISIS Laura 6 7 | MARSTON Marlin | 0 - 10 | 1:04 | WIP |

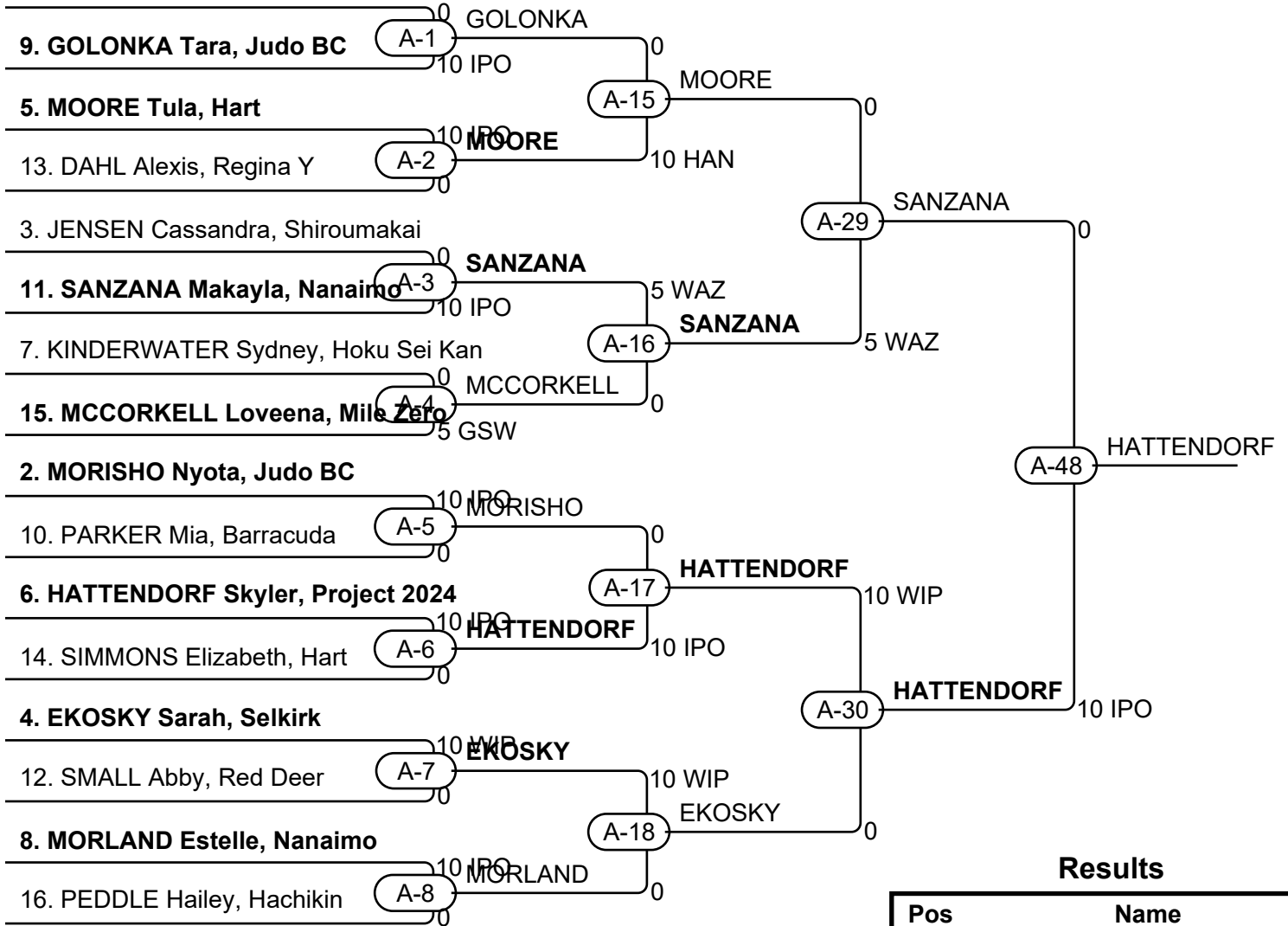


Results

| Pos | Name |
|-----|------------------------------|
| 1 | GRISALES Angie, Hoku Sei Kan |
| 2 | KARAS Kondelia, Kodokwai |
| 3 | INDENBOSCH Kayla, Lethbridge |
| 3 | MARSTON Marlin, Nanaimo |

U16F -57 kg

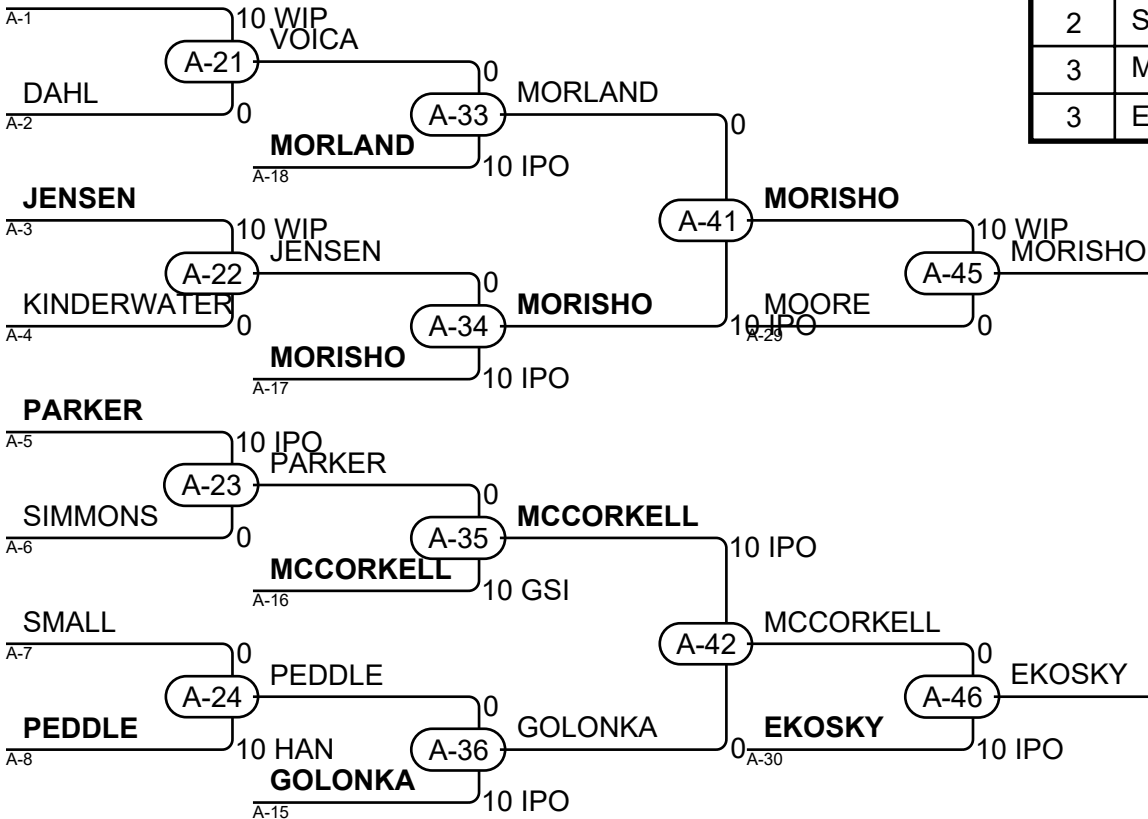
1. VOICA Anamaria, Hiro's



Results

| Pos | Name |
|-----|---------------------------------|
| 1 | HATTENDORF Skyler, Project 2024 |
| 2 | SANZANA Makayla, Nanaimo |
| 3 | MORISHO Nyota, Judo BC |
| 3 | EKOSKY Sarah, Selkirk |

VOICA



U16F -63 kg

Competitors A

| # | Name | Club | 1 | 2 | 3 | 4 | Wins | Pts | Pos |
|---|------------------------|----------------|----|----|----|----|------|-----|-----|
| 1 | GOASDOUE-WALLACE Greta | Hiro's | XX | 10 | 10 | 10 | 3 | 30 | 1 |
| 2 | PIENKOWSKI Coralea | Lethbridge | | XX | | | 0 | 0 | 4 |
| 3 | LUND Tianna | Campbell River | | 5 | XX | | 1 | 5 | 3 |
| 4 | CALDER Mira | Judo BC | | 10 | 10 | XX | 2 | 20 | 2 |

Matches A

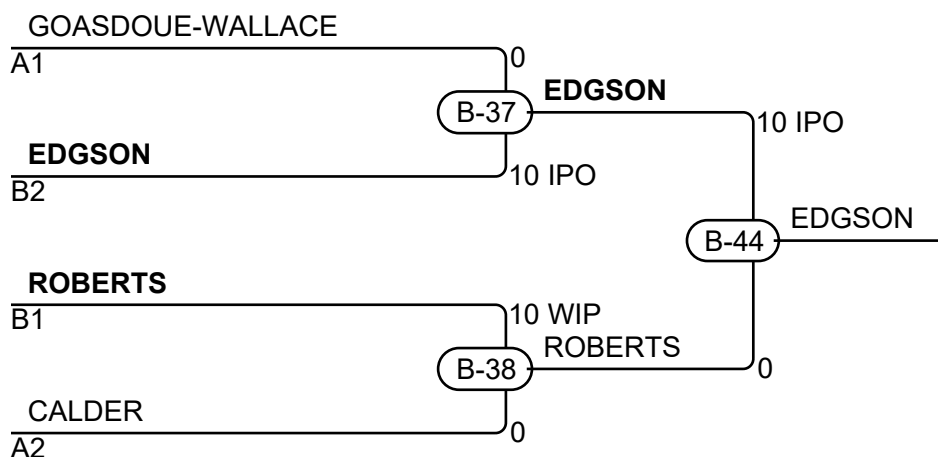
| Match | White | Blue | Result | Time | Code |
|-------|------------------------|--------------------|--------|------|------|
| B-8 | GOASDOUE-WALLACE Greta | PIENKOWSKI Coralea | 10 - 0 | 1:27 | WIP |
| B-9 | LUND Tianna | CALDER Mira | 0 - 10 | 1:10 | WIP |
| B-17 | GOASDOUE-WALLACE Greta | LUND Tianna | 10 - 0 | 2:37 | WIP |
| B-18 | PIENKOWSKI Coralea | CALDER Mira | 0 - 10 | 3:33 | GSI |
| B-27 | GOASDOUE-WALLACE Greta | CALDER Mira | 10 - 0 | 1:12 | WIP |
| B-28 | PIENKOWSKI Coralea | LUND Tianna | 0 - 5 | 3:00 | WAZ |

Competitors B

| # | Name | Club | 5 | 6 | 7 | Wins | Pts | Pos |
|---|----------------|---------|----|----|----|------|-----|-----|
| 5 | EDGSON Sydney | Judo BC | XX | 5 | | 1 | 5 | 2 |
| 6 | BLAKE Emma | Asahi | | XX | | 0 | 0 | 3 |
| 7 | ROBERTS Teyana | Hiro's | 10 | 10 | XX | 2 | 20 | 1 |

Matches B

| Match | White | Blue | Result | Time | Code |
|-------|---------------|----------------|--------|------|------|
| B-10 | EDGSON Sydney | BLAKE Emma | 5 - 0 | 3:00 | WAZ |
| B-19 | EDGSON Sydney | ROBERTS Teyana | 0 - 10 | 0:56 | WIP |
| B-29 | BLAKE Emma | ROBERTS Teyana | 0 - 10 | 0:49 | IPO |



Results

| Pos | Name |
|-----|--------------------------------|
| 1 | EDGSON Sydney, Judo BC |
| 2 | ROBERTS Teyana, Hiro's |
| 3 | GOASDOUE-WALLACE Greta, Hiro's |
| 3 | CALDER Mira, Judo BC |

U16F -70 kg

Competitors

| # | Name | Club | 1 | 2 | 3 | 4 | Wins | Pts | Pos |
|---|----------------|----------------|----|----|----|----|------|-----|-----|
| 1 | JACOBS Yana | Campbell River | XX | 10 | 10 | | 2 | 20 | 2 |
| 2 | BURGESS Willow | Abbotsford | | XX | 10 | | 1 | 10 | 3 |
| 3 | FINES Maya | Brandon | | | XX | | 0 | 0 | 4 |
| 4 | NYSTROM Jenna | Judo NWT | 10 | 10 | 10 | XX | 3 | 30 | 1 |

Matches

| Match | White | | Blue | | Result | Time | Code |
|-------|-----------------------|---|------|----------------------|--------|------|------|
| D-20 | JACOBS Yana | 1 | 2 | BURGESS Willow | 10 - 0 | 1:25 | IPO |
| D-21 | FINES Maya | 3 | 4 | NYSTROM Jenna | 0 - 10 | 0:53 | WIP |
| D-35 | JACOBS Yana | 1 | 3 | FINES Maya | 10 - 0 | 1:22 | IPO |
| D-36 | BURGESS Willow | 2 | 4 | NYSTROM Jenna | 0 - 10 | 1:21 | WIP |
| D-48 | JACOBS Yana | 1 | 4 | NYSTROM Jenna | 0 - 10 | 0:26 | WIP |
| D-49 | BURGESS Willow | 2 | 3 | FINES Maya | 10 - 0 | 1:23 | IPO |

Results

| Pos | Name |
|-----|-----------------------------|
| 1 | NYSTROM Jenna, Judo NWT |
| 2 | JACOBS Yana, Campbell River |
| 3 | BURGESS Willow, Abbotsford |
| | |

U16F +70 kg

Competitors

| # | Name | Club | 1 | 2 | 3 | 4 | Wins | Pts | Pos |
|---|-----------------|-----------|----|----|----|----|------|-----|-----|
| 1 | TOWNSEND Emilie | Hachikin | XX | | | | 0 | 0 | 4 |
| 2 | KEAYS Jannessa | Kenshukan | 10 | XX | | 10 | 2 | 20 | 2 |
| 3 | ULRICH Samantha | Judo MN | 10 | 10 | XX | 10 | 3 | 30 | 1 |
| 4 | WEBB Dakota | Judo BC | 10 | | | XX | 1 | 10 | 3 |

Matches

| Match | White | | Blue | | Result | Time | Code |
|-------|------------------------|---|------|------------------------|--------|------|------|
| D-24 | TOWNSEND Emilie | 1 | 2 | KEAYS Jannessa | 0 - 10 | 1:18 | IPO |
| D-25 | ULRICH Samantha | 3 | 4 | WEBB Dakota | 10 - 0 | 0:51 | WIP |
| D-39 | TOWNSEND Emilie | 1 | 3 | ULRICH Samantha | 0 - 10 | 0:45 | IPO |
| D-40 | KEAYS Jannessa | 2 | 4 | WEBB Dakota | 10 - 0 | 1:06 | IPO |
| D-52 | TOWNSEND Emilie | 1 | 4 | WEBB Dakota | 0 - 10 | 0:35 | WIP |
| D-53 | KEAYS Jannessa | 2 | 3 | ULRICH Samantha | 0 - 10 | 0:59 | IPO |

Results

| Pos | Name |
|-----|---------------------------|
| 1 | ULRICH Samantha, Judo MN |
| 2 | KEAYS Jannessa, Kenshukan |
| 3 | WEBB Dakota, Judo BC |
| | |

U16M -38 kg

Competitors A

| # | Name | Club | 1 | 2 | 3 | 4 | Wins | Pts | Pos |
|---|-----------------|------------|----|----|----|----|------|-----|-----|
| 1 | TREMBLAY Tayven | St. Albert | XX | 10 | 10 | 10 | 3 | 30 | 1 |
| 2 | SMITH Flynn | Mile Zero | | XX | | | 0 | 0 | 4 |
| 3 | VYSOTSKI Victor | Kodokwai | | 10 | XX | 10 | 2 | 20 | 2 |
| 4 | ACHICO Trenton | Tora | | 10 | | XX | 1 | 10 | 3 |

Matches A

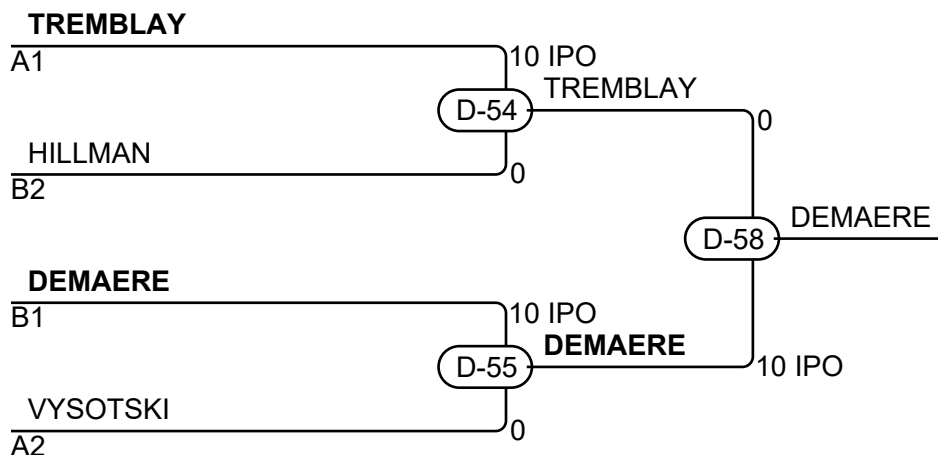
| Match | White | Blue | Result | Time | Code |
|-------|---------------------|-----------------|--------|------|------|
| D-13 | TREMBLAY Tayven 1 2 | SMITH Flynn | 10 - 0 | 0:01 | IPO |
| D-14 | VYSOTSKI Victor 3 4 | ACHICO Trenton | 10 - 0 | 1:42 | WIP |
| D-26 | TREMBLAY Tayven 1 3 | VYSOTSKI Victor | 10 - 0 | 0:39 | IPO |
| D-27 | SMITH Flynn 2 4 | ACHICO Trenton | 0 - 10 | 2:43 | IPO |
| D-41 | TREMBLAY Tayven 1 4 | ACHICO Trenton | 10 - 0 | 0:48 | IPO |
| D-42 | SMITH Flynn 2 3 | VYSOTSKI Victor | 0 - 10 | 0:01 | IPO |

Competitors B

| # | Name | Club | 5 | 6 | 7 | Wins | Pts | Pos |
|---|----------------|------------|----|----|----|------|-----|-----|
| 5 | HILLMAN Corbin | Judo BC | XX | | 10 | 1 | 10 | 2 |
| 6 | DEMAERE Caleb | Lethbridge | 10 | XX | 10 | 2 | 20 | 1 |
| 7 | FRIZELL Ethan | Hart | | | XX | 0 | 0 | 3 |

Matches B

| Match | White | Blue | Result | Time | Code |
|-------|--------------------|---------------|--------|------|------|
| D-15 | HILLMAN Corbin 5 6 | DEMAERE Caleb | 0 - 10 | 0:34 | WIP |
| D-28 | HILLMAN Corbin 5 7 | FRIZELL Ethan | 10 - 0 | 1:52 | WIP |
| D-43 | DEMAERE Caleb 6 7 | FRIZELL Ethan | 10 - 0 | 0:29 | IPO |



Results

| Pos | Name |
|-----|-----------------------------|
| 1 | DEMAERE Caleb, Lethbridge |
| 2 | TREMBLAY Tayven, St. Albert |
| 3 | HILLMAN Corbin, Judo BC |
| 3 | VYSOTSKI Victor, Kodokwai |

U16M -46 kg

Competitors

| # | Name | Club | 1 | 2 | 3 | 4 | 5 | Wins | Pts | Pos |
|---|--------------|------------|----|----|----|----|----|------|-----|-----|
| 1 | YOUNG Asher | Hart | XX | 10 | 10 | 5 | 10 | 4 | 35 | 1 |
| 2 | ALLEN Philip | Lethbridge | | XX | 10 | | 10 | 2 | 20 | 3 |
| 3 | PEDERSEN Ty | Tolide | | | XX | | | 0 | 0 | 5 |
| 4 | POTTS Marcus | Judo BC | | 5 | 10 | XX | 10 | 3 | 25 | 2 |
| 5 | KEYES Aidan | Police | | | 10 | | XX | 1 | 10 | 4 |

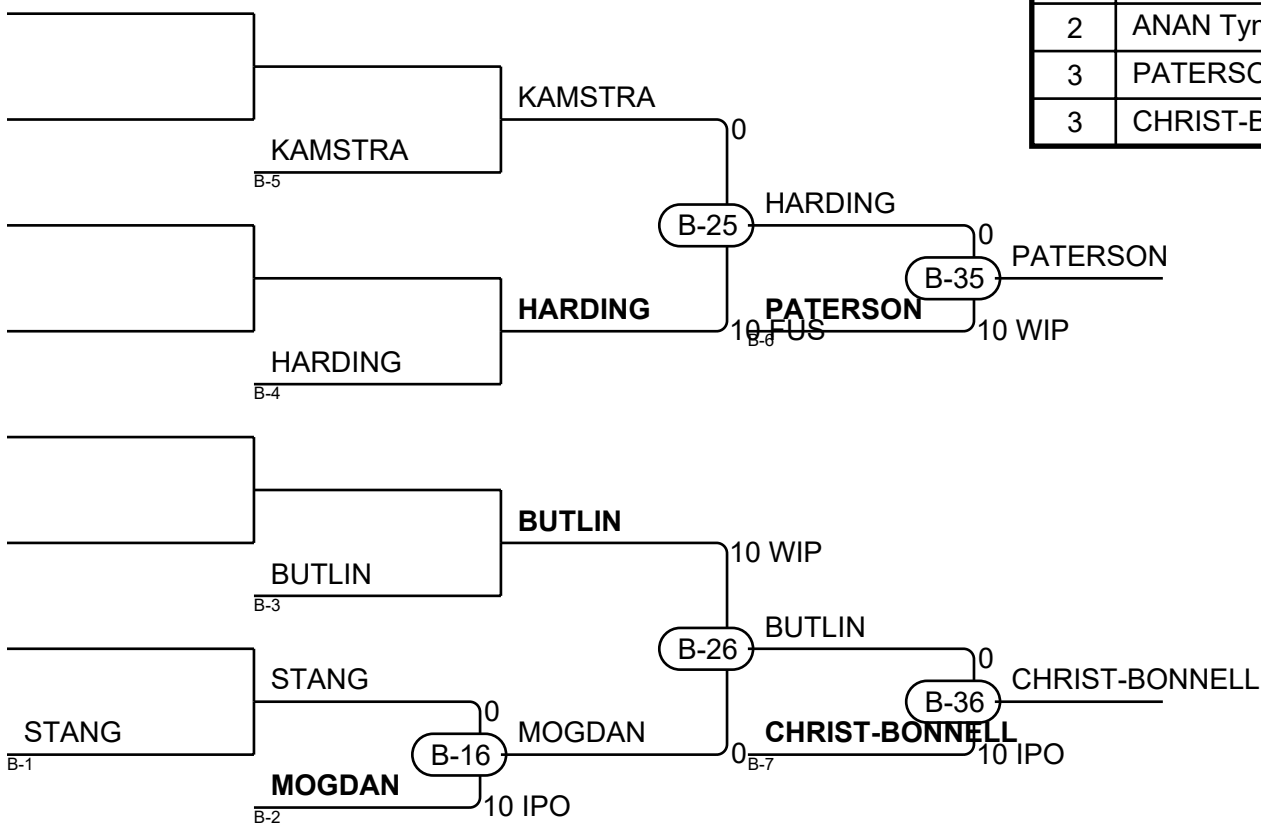
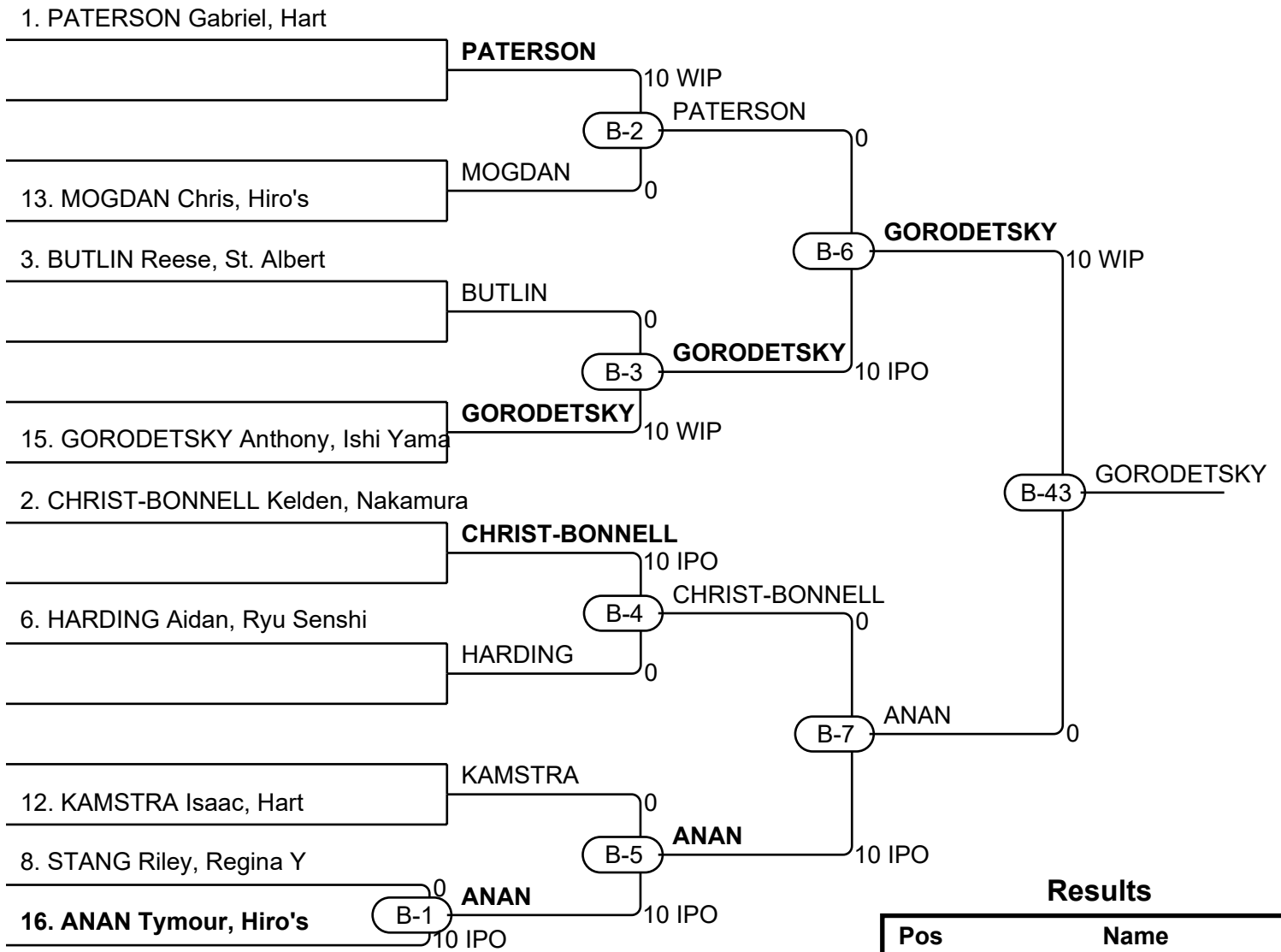
Matches

| Match | White | | | Blue | Result | Time | Code |
|-------|---------------------|---|---|---------------------|--------|------|------|
| A-13 | POTTS Marcus | 4 | 5 | KEYES Aidan | 10 - 0 | 2:21 | WIP |
| A-14 | YOUNG Asher | 1 | 2 | ALLEN Philip | 10 - 0 | 3:00 | WIP |
| A-19 | PEDERSEN Ty | 3 | 4 | POTTS Marcus | 0 - 10 | 0:15 | IPO |
| A-20 | YOUNG Asher | 1 | 5 | KEYES Aidan | 10 - 0 | 0:53 | WIP |
| A-27 | ALLEN Philip | 2 | 3 | PEDERSEN Ty | 10 - 0 | 0:39 | IPO |
| A-28 | YOUNG Asher | 1 | 4 | POTTS Marcus | 5 - 0 | 3:00 | WAZ |
| A-31 | PEDERSEN Ty | 3 | 5 | KEYES Aidan | 0 - 10 | 0:37 | WIP |
| A-32 | ALLEN Philip | 2 | 4 | POTTS Marcus | 0 - 5 | 3:00 | WAZ |
| A-39 | YOUNG Asher | 1 | 3 | PEDERSEN Ty | 10 - 0 | 0:11 | IPO |
| A-40 | ALLEN Philip | 2 | 5 | KEYES Aidan | 10 - 0 | 2:12 | IPO |

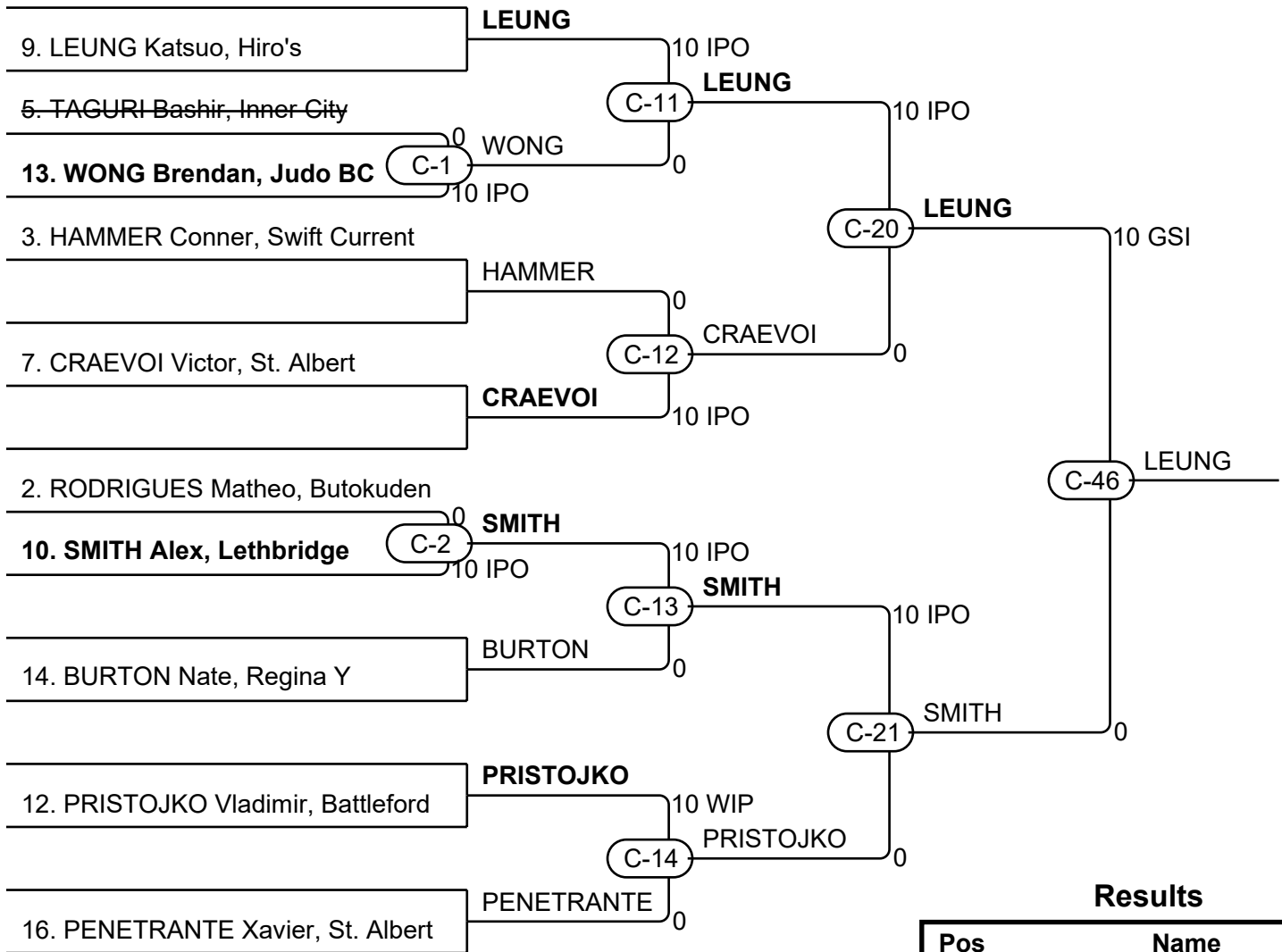
Results

| Pos | Name |
|-----|--------------------------|
| 1 | YOUNG Asher, Hart |
| 2 | POTTS Marcus, Judo BC |
| 3 | ALLEN Philip, Lethbridge |
| 4 | KEYES Aidan, Police |
| | |

U16M -50 kg

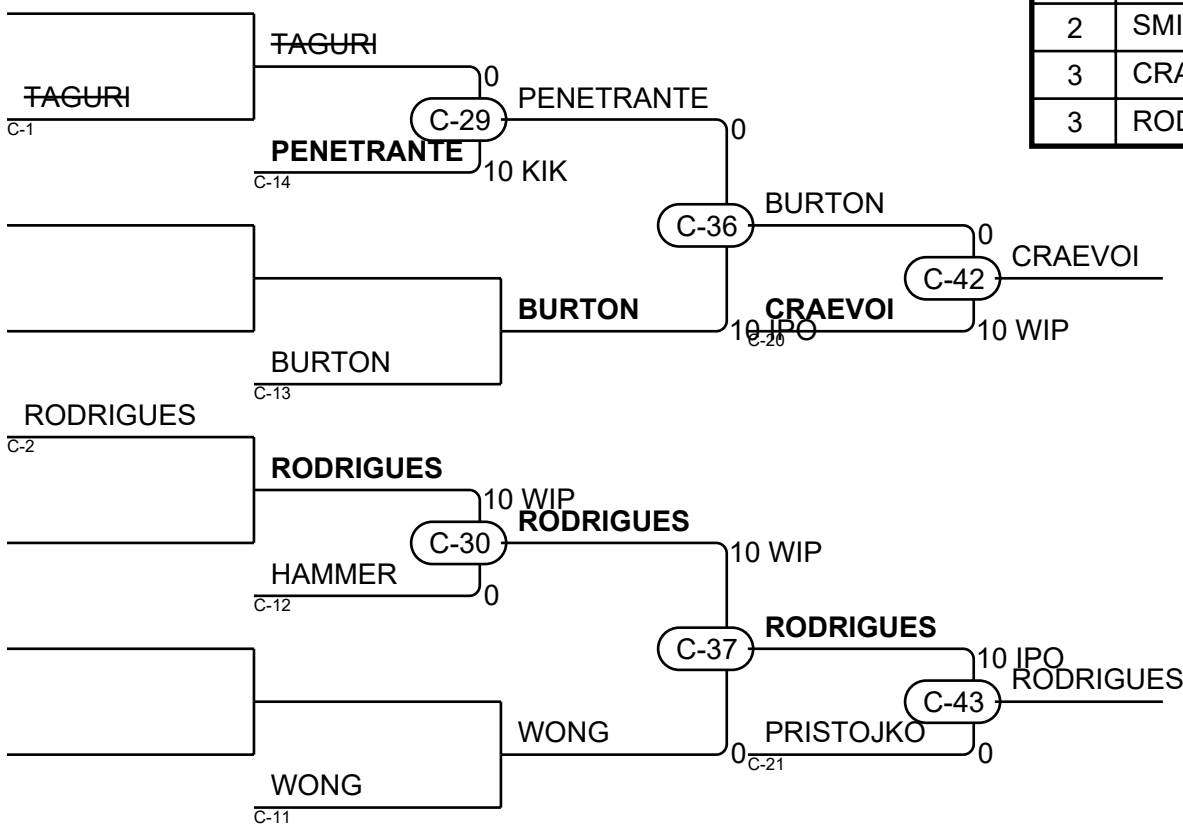


U16M -55 kg



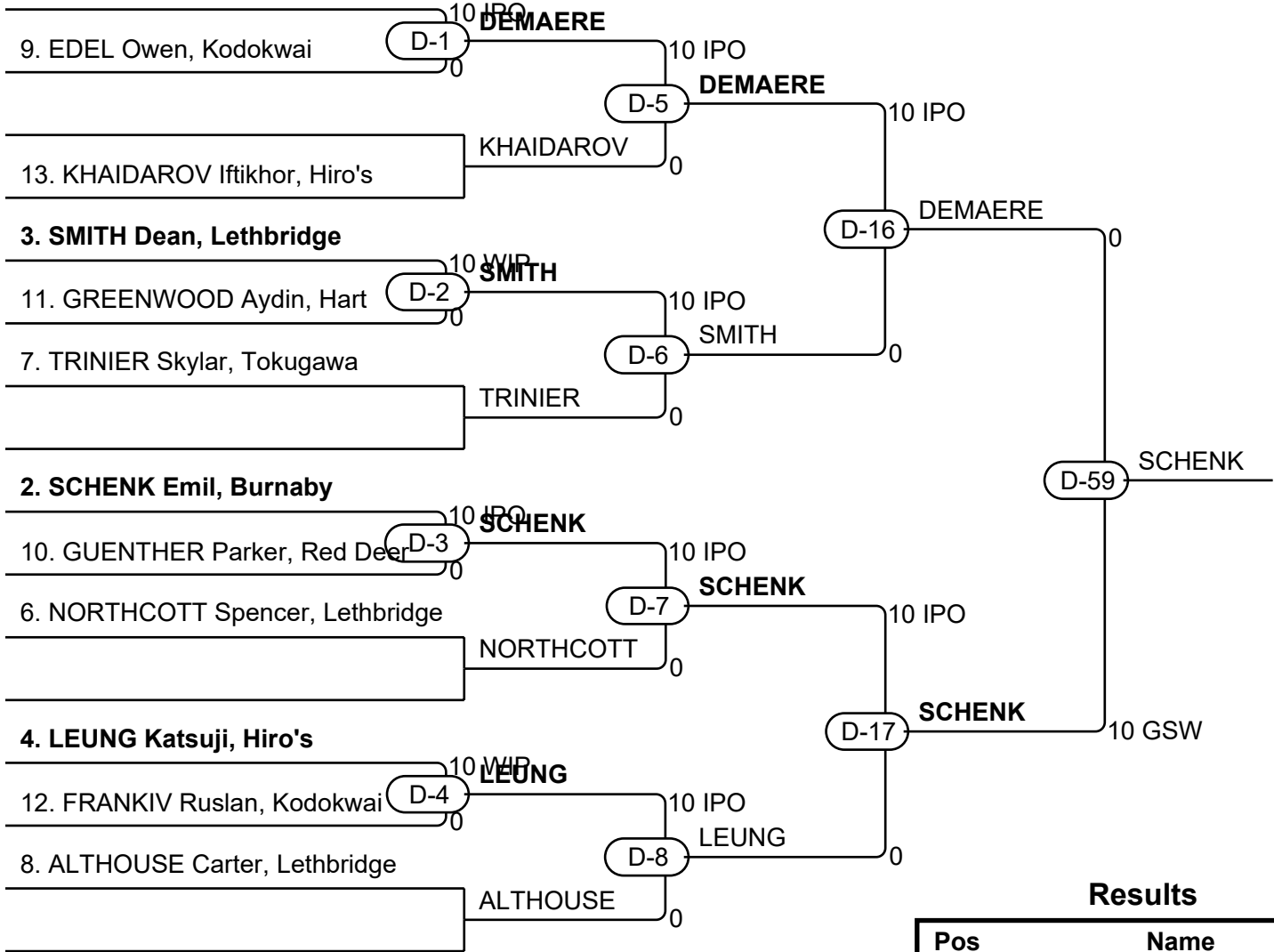
Results

| Pos | Name |
|-----|-----------------------------|
| 1 | LEUNG Katsuo, Hiro's |
| 2 | SMITH Alex, Lethbridge |
| 3 | CRAEVOI Victor, St. Albert |
| 3 | RODRIGUES Matheo, Butokuden |



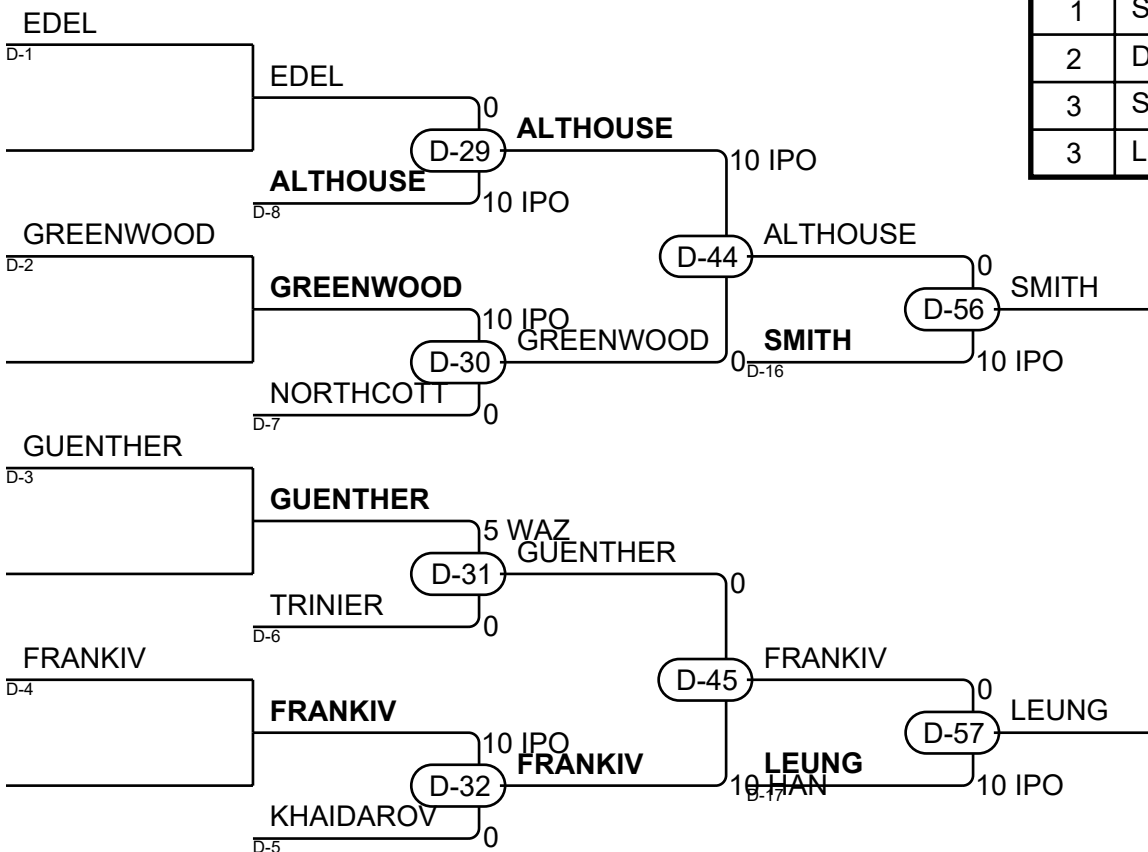
U16M -60 kg

1. DEMAERE Nathan, Lethbridge



Results

| Pos | Name |
|-----|----------------------------|
| 1 | SCHENK Emil, Burnaby |
| 2 | DEMAERE Nathan, Lethbridge |
| 3 | SMITH Dean, Lethbridge |
| 3 | LEUNG Katsuji, Hiro's |



U16M -66 kg

Competitors A

| # | Name | Club | 1 | 2 | 3 | 4 | Wins | Pts | Pos |
|---|--------------------|----------|----|----|----|----|------|-----|-----|
| 1 | MICHALUK Alexander | Shidokai | XX | | | | 0 | 0 | 4 |
| 2 | AKBASHEV Michael | Judo MN | 10 | XX | 10 | 10 | 3 | 30 | 1 |
| 3 | LANGILLE Ian | Hachikin | 10 | | XX | | 1 | 10 | 3 |
| 4 | MICU Andrew | Hiro's | 10 | | 10 | XX | 2 | 20 | 2 |

Matches A

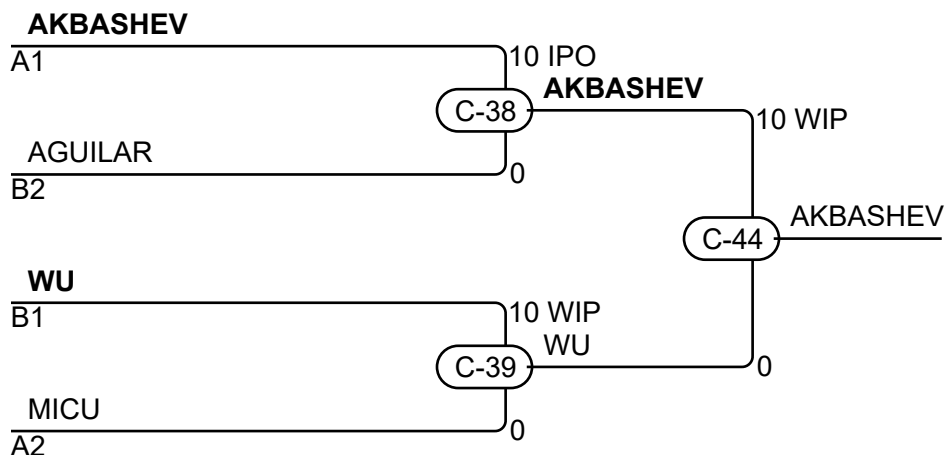
| Match | White | | Blue | Result | Time | Code |
|-------|--------------------|-----|------------------|--------|------|------|
| C-15 | MICHALUK Alexander | 1 2 | AKBASHEV Michael | 0 - 10 | 0:12 | IPO |
| C-16 | LANGILLE Ian | 3 4 | MICU Andrew | 0 - 10 | 0:07 | IPO |
| C-22 | MICHALUK Alexander | 1 3 | LANGILLE Ian | 0 - 10 | 2:38 | WIP |
| C-23 | AKBASHEV Michael | 2 4 | MICU Andrew | 10 - 0 | 1:15 | IPO |
| C-31 | MICHALUK Alexander | 1 4 | MICU Andrew | 0 - 10 | 0:09 | IPO |
| C-32 | AKBASHEV Michael | 2 3 | LANGILLE Ian | 10 - 0 | 0:31 | WIP |

Competitors B

| # | Name | Club | 5 | 6 | 7 | Wins | Pts | Pos |
|---|-------------------------|---------------|----|----|----|------|-----|-----|
| 5 | AGUILAR Ghrandozz | Swift Current | XX | | 10 | 1 | 10 | 2 |
| 6 | WU Alexander | Tokugawa | 10 | XX | 10 | 2 | 20 | 1 |
| 7 | HRONOPOULOS Christopher | Kodokwai | | | XX | 0 | 0 | 3 |

Matches B

| Match | White | | Blue | Result | Time | Code |
|-------|-------------------|-----|-------------------------|--------|------|------|
| C-17 | AGUILAR Ghrandozz | 5 6 | WU Alexander | 0 - 10 | 0:40 | IPO |
| C-24 | AGUILAR Ghrandozz | 5 7 | HRONOPOULOS Christopher | 10 - 0 | 0:14 | IPO |
| C-33 | WU Alexander | 6 7 | HRONOPOULOS Christopher | 10 - 0 | 2:15 | IPO |



Results

| Pos | Name |
|-----|----------------------------------|
| 1 | AKBASHEV Michael, Judo MN |
| 2 | WU Alexander, Tokugawa |
| 3 | AGUILAR Ghrandozz, Swift Current |
| 3 | MICU Andrew, Hiro's |

U16M -73 kg

Competitors

| # | Name | Club | 1 | 2 | 3 | Wins | Pts | Pos |
|---|----------------|---------------|----|----|----|------|-----|-----|
| 1 | KUCH Lennon | Selkirk | XX | | | 0 | 0 | 3 |
| 2 | CROOK Shion | Hiro's | 10 | XX | 10 | 2 | 20 | 1 |
| 3 | RICHARDSON Kai | Williams Lake | 10 | | XX | 1 | 10 | 2 |

Matches

| Match | White | | | Blue | Result | Time | Code |
|-------|--------------------|---|---|-----------------------|--------|------|------|
| D-22 | KUCH Lennon | 1 | 2 | CROOK Shion | 0 - 10 | 0:36 | IPO |
| D-37 | KUCH Lennon | 1 | 3 | RICHARDSON Kai | 0 - 10 | 1:19 | IPO |
| D-50 | CROOK Shion | 2 | 3 | RICHARDSON Kai | 10 - 0 | 0:27 | IPO |

Results

| Pos | Name |
|-----|-------------------------------|
| 1 | CROOK Shion, Hiro's |
| 2 | RICHARDSON Kai, Williams Lake |
| | |

U16M +73 kg

Competitors

| # | Name | Club | 1 | 2 | 3 | 4 | 5 | Wins | Pts | Pos |
|---|-------------------|----------------|----|----|----|----|----|------|-----|-----|
| 1 | POLLEY Jonz | Saskatoon YMCA | XX | | | 10 | | 1 | 10 | 4 |
| 2 | BISHOP Pierce | St. Albert | 10 | XX | | 10 | | 2 | 20 | 3 |
| 3 | MACUMBER Owen | Judo ON | 10 | 10 | XX | 10 | 10 | 4 | 40 | 1 |
| 4 | MACFARLANE Connor | Selkirk | | | | XX | | 0 | 0 | 5 |
| 5 | ELLIOT Nolan | Judo NWT | 10 | 10 | | 10 | XX | 3 | 30 | 2 |

Matches

| Match | White | | | Blue | Result | Time | Code |
|-------|----------------------|---|---|-------------------|--------|------|------|
| D-9 | MACFARLANE Connor | 4 | 5 | ELLIOT Nolan | 0 - 10 | 0:28 | IPO |
| D-10 | POLLEY Jonz | 1 | 2 | BISHOP Pierce | 0 - 10 | 0:10 | IPO |
| D-11 | MACUMBER Owen | 3 | 4 | MACFARLANE Connor | 10 - 0 | 1:20 | WIP |
| D-12 | POLLEY Jonz | 1 | 5 | ELLIOT Nolan | 0 - 10 | 1:19 | IPO |
| D-18 | BISHOP Pierce | 2 | 3 | MACUMBER Owen | 0 - 10 | 2:01 | IPO |
| D-19 | POLLEY Jonz | 1 | 4 | MACFARLANE Connor | 10 - 0 | 0:01 | GSW |
| D-33 | MACUMBER Owen | 3 | 5 | ELLIOT Nolan | 10 - 0 | 2:18 | WIP |
| D-34 | BISHOP Pierce | 2 | 4 | MACFARLANE Connor | 10 - 0 | 2:40 | IPO |
| D-46 | POLLEY Jonz | 1 | 3 | MACUMBER Owen | 0 - 10 | 0:28 | WIP |
| D-47 | BISHOP Pierce | 2 | 5 | ELLIOT Nolan | 0 - 10 | 1:22 | IPO |

Results

| Pos | Name |
|-----|-----------------------------|
| 1 | MACUMBER Owen, Judo ON |
| 2 | ELLIOT Nolan, Judo NWT |
| 3 | BISHOP Pierce, St. Albert |
| 4 | POLLEY Jonz, Saskatoon YMCA |
| | |